



Prices effective February 5, 2018

Published November 2018

Compass™ System

Introduction	page 2
Compass™ System	3
Walls	5
Surfaces	44
Storage	63
Close-Outs	92
Transport	98
Rails and Accessories	100
Indices	119
By Name	119
By Number	121
Appendices	
20-Day or Less/Assigned Lead-Time Order Information - Healthcare	
For the latest materials information, refer to the Materials pages on HermanMiller.com.	

Introduction

A Note on the Organization of This Book

There are a few signals that will help you understand the organization of this book. Once you know them, you should be able to find your way around easily.

Like a newspaper, this book is formatted with columns of text and illustrations that run vertically.

Information wraps from one column to the next and continues for as many pages as it needs to.

Black bars are clues.

A black bar at the top of a page signals the start of information about a product.

This information is divided into two sections, each signaled by a black bar. Product Information includes a description, additional notes, and dimensional drawings. Specification Information, which always begins at the top of a column, includes a series of steps. Each step represents a decision you need to make in order to complete your product number. Steps must be followed sequentially. The number of pages needed to complete information on a product varies; some will be complete in one page; others may fill three or four pages. Just continue going through the steps until you run into the next product, signaled by the black bar at the top of the page.

Black tabs running along the outside edge of the page help you locate what section you are in or what section you want to go to. You can thumb forwards or backwards to find a section; tabs and text appear on both sides of the page.

The additional pages in the back of the book include the appendices and indices. They are signaled by a long black bar running along the outside edge of the page.

The index is presented two ways.

The first index is in alphabetical order by product name. It can be helpful if you are new to the products and numbering scheme or if you are looking for a type of product, such as work chair or round table.

The second index is by product number. It lists, in alphanumeric order, the base product number, typically a five-digit number.

General Information

This book is effective February 5, 2018, subject to change without notice. Products may be purchased from authorized Herman Miller dealers who will quote prices upon request. For more information about our products and services or to see a list of dealers, visit www.HermanMiller.com.


All prices are list prices. Additional services, such as planning services, design, storage, and installation, are not included and must be added to these prices when the additional services are requested.

Illustrations, specifications, and prices are based on the latest information at the time of publication. The right is reserved to make changes at any time without notice in prices, fabrics, finishes, materials, specifications, and models, and also to discontinue models and finishes.

Dimensions shown in the drawings are engineering drawing dimensions rounded up to the nearest $\frac{1}{8}$ ". Product is shipped set up or knocked down. Products that include "Shipped knocked down" in the description require some assembly. If this statement does not appear in the description, the product is shipped assembled.

Service problems are normally handled by a Herman Miller authorized dealer. Where this cannot be accomplished on a local level, service problems should be referred to the Customer Care Representative for your region, Herman Miller, Inc., Zeeland, Michigan 49464.

20-Day or Less/Assigned Lead-Time Shipments

All products and options in this price book not designated by an Assigned Program icon  will ship in **20 business days or less** after being acknowledged by Herman Miller.

Products and options designated by an  are on the assigned lead-time program and may ship in 20 days, less than 20 days, or more than 20 days from order acknowledgement.

Walls

Surfaces

Storage

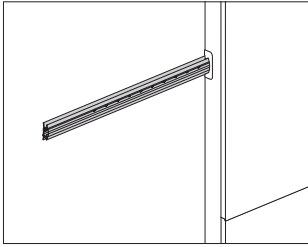
Close-Outs

Transport

Rails and Accessories

Wall Rail

TW100.



Product Information

Description

This rail attaches to an architectural wall to support stiles for attaching tiles and components. The rail does not require attaching to wall studs; it attaches directly to finished 5/8" thick or thicker drywall using wall anchors specified separately. Finish is anodized aluminum.

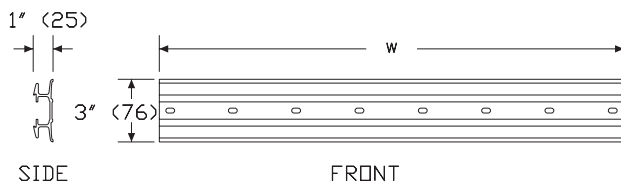
Notes

Specify wall anchors (TW109.) separately.

Specify optional products separately:

- Wall Rail End Cap (TW104.)
- Wall Rail Insert (TW102.)

Dimensions



Specification Information

Step 1.

TW100.

Step 2. Width

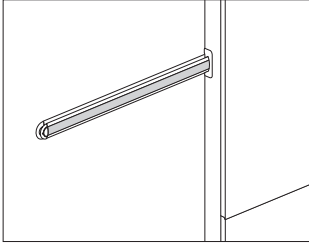
18	18" wide
24	24" wide
30	30" wide
36	36" wide
42	42" wide
48	48" wide
54	54" wide
60	60" wide
66	66" wide
72	72" wide
78	78" wide
84	84" wide
96	96" wide

Prices for Steps 1-2.

TW100. 18	\$36
24	\$44
30	\$52
36	\$61
42	\$70
48	\$77
54	\$86
60	\$95
66	\$104
72	\$109
78	\$117
84	\$126
96	\$143

Wall Rail Insert

TW102.



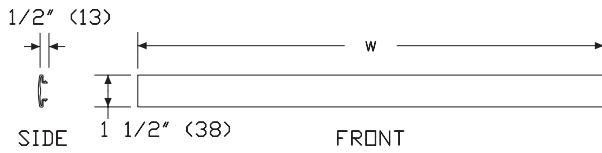
Compass™ Walls

Product Information

Description

This individual insert fits into a wall rail to finish the front and conceal the mounting screws. The insert can be cut to length in the field. Finish is cool grey neutral.

Dimensions



Specification Information

Step 1.

TW102.

Step 2. Width

48 48" wide

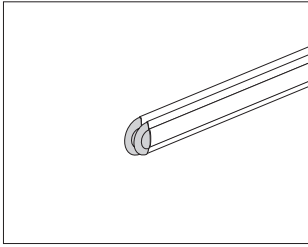
96 96" wide

Prices for Steps 1-2.

TW102.48	\$27
96	\$40

Wall Rail End Cap

TW104.

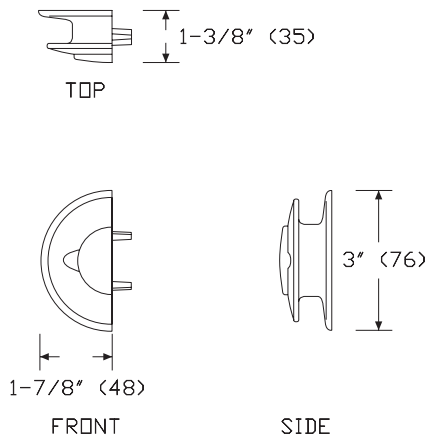


Product Information

Description

This end cap attaches to a wall rail to finish the end when the rail is exposed. It has a metallic silver plate with a cool grey neutral cover. Package of 2.

Dimensions



Specification Information

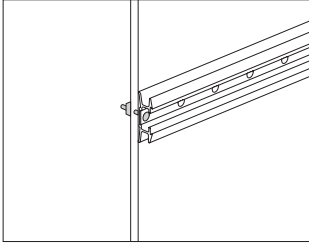
Step 1.

TW104.

\$122

Wall Anchors

TW109.



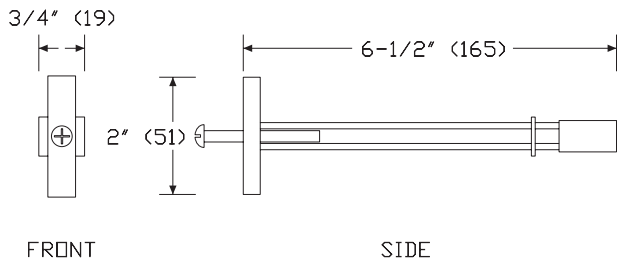
Compass™ Walls

Product Information

Description

These anchors attach a wall rail to an architectural wall. Anchors are required every 6" along the entire length of the wall rail, and allow the rail to attach to 5/8"-thick or thicker drywall, without having to attach to wall studs. Package of 100.

Dimensions



Specification Information

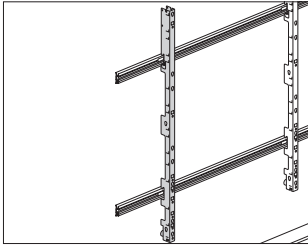
Step 1.

TW109.

\$224

Stile, Rail-Attached

TW110.



Product Information

Description

This individual stile mounts on wall rails. 2 stiles are required for attaching tiles and components, creating a module. Multiple modules can be placed on the wall rails to finish a wall. The stile has cutouts for routing cables and conduit, and includes anti-dislodgement clips.

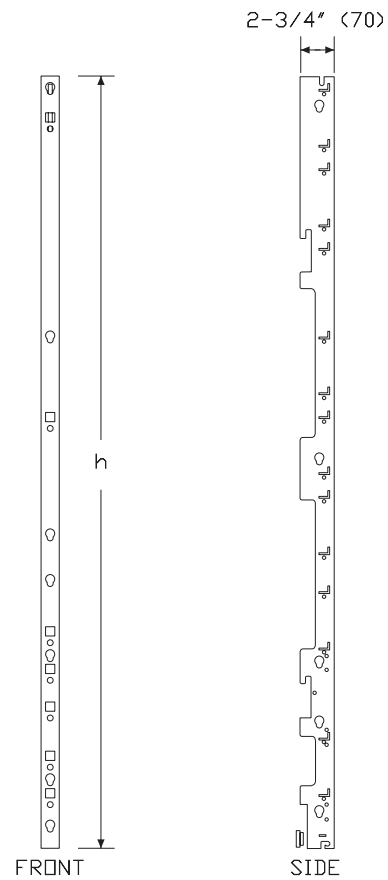
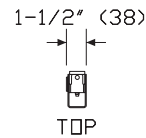
Notes

Specify stile connector kit (TW113,) separately to minimize gaps between adjacent tiles and components.

Specify 64"-high stiles for mounting on 2 wall rails to create a full-height module.

Specify 24"-high stiles for mounting on 1 wall rail to create a lower module.

Dimensions



Compass™ Walls

Specification Information

Step 1.

TW110.

Step 2. Height

24 24" high

64 64" high

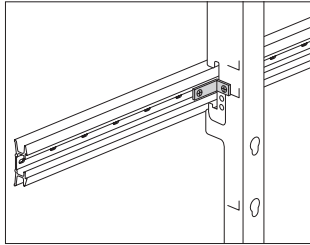
Prices for Steps 1-2.

TW110.24	\$60
-----------------	------

64	\$68
-----------	------

Stile Lockdown

TW112.

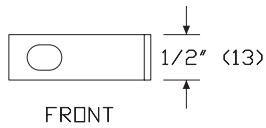
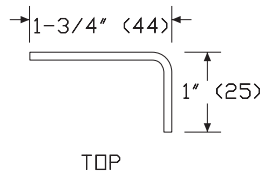


Product Information

Description

This hardware locks a stile in place on the wall rail(s) to eliminate movement. 1 lockdown is required per wall application.

Dimensions



Specification Information

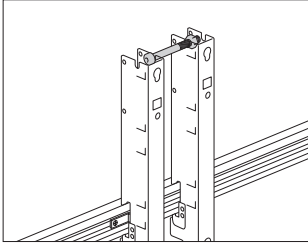
Step 1.

TW112.

\$17

Stile Connector Kit

TW113.



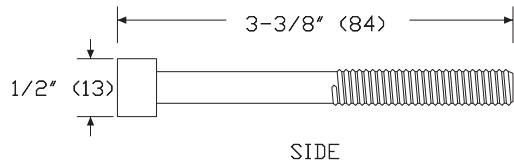
Compass™ Walls

Product Information

Description

This kit connects 2 adjacent stiles at the top and bottom to provide alignment and minimize gaps when tiles and components are attached. Package of 2.

Dimensions



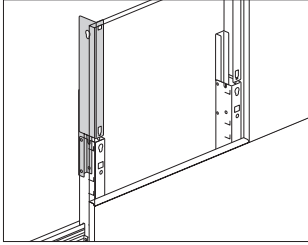
Specification Information

Step 1.

TW113. \$8

Stile, Chase Tile

TW114.



Product Information

Description

This individual stile attaches to the top of a rail-attached stile. 2 stiles are required for attaching a chase tile. Attachment hardware included.

Notes

Specify chase tile (TW182.) separately.

Dimensions

Specification Information

Step 1.

TW114.

Step 2. Type

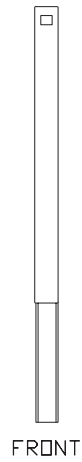
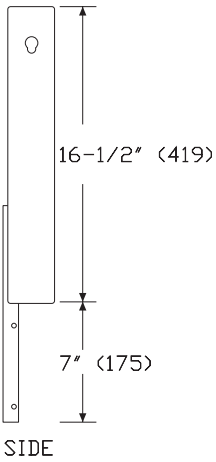
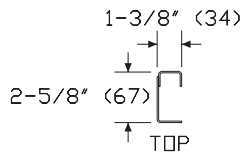
L left

R right

Prices for Steps 1-2.

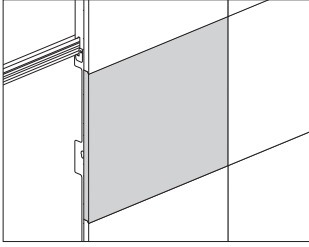
TW114.L	\$79
R	\$79

Compass™ Walls



Face Tile

TW120.

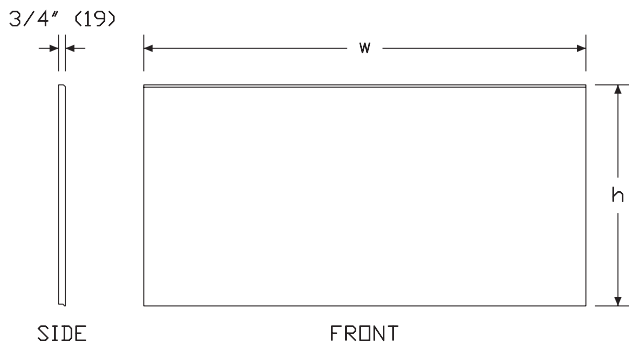


Compass™ Walls

Product Information

Description
 This tile attaches to 2 rail-attached stiles to provide a finished cover and is available in 3D laminate or Corian®. Durawrap™ 3D laminate is a 99.9% PVC-free material. The top and bottom edges are ship lapped (shingled); creating a flush joint between tiles that prevents liquids from seeping back.

Dimensions



Specification Information

Step 1.

TW120.

Step 2. Height

- 20** 20" high
- 24** 24" high
- 40** 40" high

Step 3. Width

- 12** 12" wide
- 18** 18" wide
- 24** 24" wide
- 30** 30" wide
- 36** 36" wide
- 42** 42" wide
- 48** 48" wide

Step 4. Surface Material

For 20" high (20) or 24" high (24)

- A** durawrap™ 3D laminate
- K** corian
- P** 3D laminate **A**

For 40" high (40)

- A** durawrap™ 3D laminate
- P** 3D laminate **A**

Prices for Steps 1-4.

		A	K	P
TW120.20	12	\$152	404	140
	18	\$161	473	148
	24	\$170	561	156
	30	\$192	765	176
	36	\$217	848	197
	42	\$250	925	229
	48	\$285	1003	260
	24	\$164	488	150
	18	\$175	574	161
	24	\$186	660	171
	30	\$204	790	187
	36	\$222	921	201
	42	\$256	1019	236
	48	\$291	1117	266

Face Tile *continued*

40	12	\$245	—	225
	18	\$265	—	243
	24	\$285	—	260
	30	\$325	—	297
	36	\$365	—	334
	42	\$398	—	363
	48	\$430	—	391

Step 5. Surface Finish

Solid-Color

For durawrap™ 3D laminate (A)

91	white			+\$0
LU	soft white			+\$0

Wood-Grain

For durawrap™ 3D laminate (A)

76	light brown walnut			+\$10
HX	aged cherry			+\$10
HM	natural maple			+\$10
PX	Nemschoff light cherry			+\$10
OG	honey maple			+\$10

For corian (K)

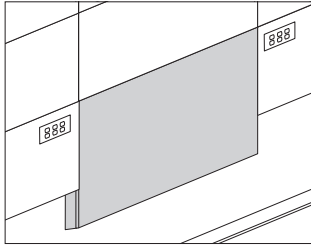
1N	canyon			+\$50
CQ	glacier white			+\$0
QB	bisque			+\$0
1E	flint			+\$120
1S	savannah			+\$50
1U	sahara			+\$50
3I	mojave			+\$50
4I	sandstone			+\$50
58	cameo white			+\$0
IQ	aurora			+\$50
OQ	silt			+\$50
Q1	vanilla			+\$0
7I	raffia			+\$120
BLP	blue pebble			+\$120

For 3D laminate (P)

120	light maple woodgrain 3D laminate A			+\$0
121	golden maple woodgrain 3D laminate A			+\$0
122	brown walnut woodgrain 3D laminate A			+\$0
123	chocolate walnut woodgrain 3D laminate A			+\$0
124	warm cherry woodgrain 3D laminate A			+\$0
125	light teak woodgrain 3D laminate A			+\$10
126	basic white 3D laminate A			+\$0

Bed Tile

TW122.



Compass™ Walls

Product Information

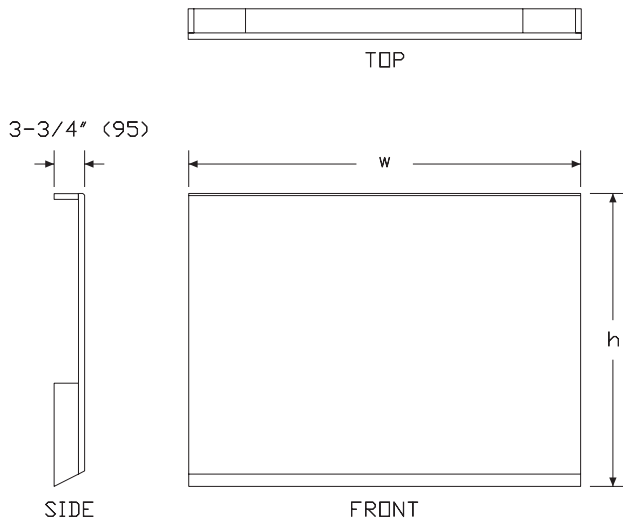
Description

This tile attaches to 2 rail-attached stiles to provide a finished cover and has a 3D laminate surface. Durawrap™ 3D laminate is a 99.9% PVC-free material. It protects the architectural wall from being damaged due to contact with a bed. The top edge is ship lapped (shingled); creating a flush joint between tiles that prevents liquids from seeping back. Side close-outs and a wall saver to protect the architectural wall behind the tile are included.

Notes

Bottom close-out finish always in soft white (LU).

Dimensions



Specification Information

Step 1.

TW122. [A]

Step 2. Height

36 36" high [A]
39 39" high [A]

Step 3. Width

36 36" wide
48 48" wide

Step 4. Surface Material

A durawrap™ 3D laminate
P 3D laminate [A]

Prices for Steps 1-4.

	A	P
TW122.36 36	\$581	482
48	\$615	560
39 36	\$669	598
48	\$706	652

Step 5. Close-Out Finish

91 white +\$0
LU soft white +\$0

Step 6. Surface Finish

Solid-Color

For durawrap™ 3D laminate (A)

91 white +\$0
LU soft white +\$0

Wood-Grain

For durawrap™ 3D laminate (A)

76 light brown walnut +\$10
HX aged cherry +\$10
HM natural maple +\$10
PX Nemschoff light cherry +\$10
OG honey maple +\$10

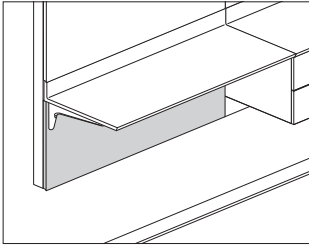
Bed Tile *continued*

For 3D laminate (P)

120	light maple woodgrain 3D laminate <input type="checkbox"/>	+\$0
121	golden maple woodgrain 3D laminate <input type="checkbox"/>	+\$0
122	brown walnut woodgrain 3D laminate <input type="checkbox"/>	+\$0
123	chocolate walnut woodgrain 3D laminate <input type="checkbox"/>	+\$0
124	warm cherry woodgrain 3D laminate <input type="checkbox"/>	+\$0
125	light teak woodgrain 3D laminate <input type="checkbox"/>	+\$10
126	basic white 3D laminate <input type="checkbox"/>	+\$0

Work Surface Tile

TW124.



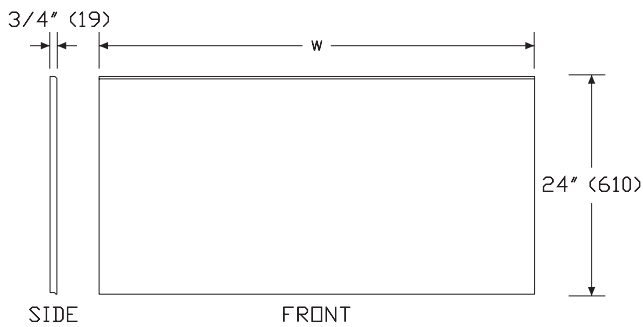
Compass™ Walls

Product Information

Description

This tile attaches to 2 rail-attached stiles to provide mounting of a work surface and has a 3D laminate surface. Durawrap™ 3D laminate is a 99.9% PVC-free material. It has partially-drilled holes in the back for seated-height and standing-height surfaces. The top and bottom edges are ship lapped (shingled); creating a flush joint between tiles that prevents liquids from seeping back.

Dimensions



Specification Information

Step 1.

TW124.

Step 2. Width

- 12** 12" wide
- 18** 18" wide
- 24** 24" wide
- 30** 30" wide
- 36** 36" wide
- 42** 42" wide
- 48** 48" wide

Step 3. Work Surface Type

- AW** seated height with backsplash
- BW** standing height with backsplash
- CN** standing or seated height, no backsplash

Step 4. Surface Material

- A** durawrap™ 3D laminate
- P** 3D laminate A

Prices for Steps 1-4.

		A	P
TW124. 12	AW	\$122	111
	BW	\$211	183
	CN	\$247	225
18	AW	\$123	112
	BW	\$197	192
	CN	\$243	223
24	AW	\$143	125
	BW	\$215	196
	CN	\$263	242
30	AW	\$163	151
	BW	\$242	209
	CN	\$296	271
36	AW	\$204	187
	BW	\$257	222
	CN	\$331	302
42	AW	\$196	180
	BW	\$242	222
	CN	\$328	300
48	AW	\$221	202
	BW	\$264	243
	CN	\$359	329

Work Surface Tile *continued*

Step 5. Surface Finish

Solid-Color

For durawrap™ 3D laminate (A)

91	white	+\$0
LU	soft white	+\$0

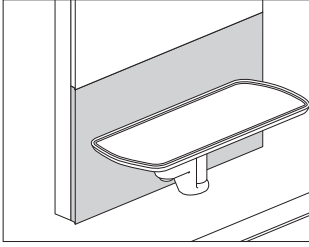
Wood-Grain

For durawrap™ 3D laminate (A)

76	light brown walnut	+\$10
HX	aged cherry	+\$10
HM	natural maple	+\$10
PX	Nemschoff light cherry	+\$10
OG	honey maple	+\$10

For 3D laminate (P)

120	light maple woodgrain 3D laminate A	+\$0
121	golden maple woodgrain 3D laminate A	+\$0
122	brown walnut woodgrain 3D laminate A	+\$0
123	chocolate walnut woodgrain 3D laminate A	+\$0
124	warm cherry woodgrain 3D laminate A	+\$0
125	light teak woodgrain 3D laminate A	+\$10
126	basic white 3D laminate A	+\$0



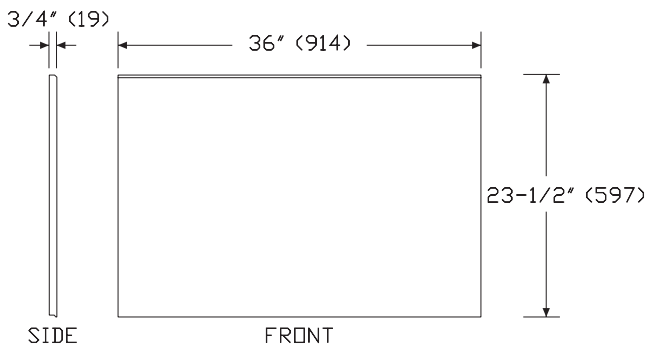
Compass™ Walls

Product Information

Description

This tile attaches to 2 rail-attached stiles to provide mounting of a rotating work surface. It has a 3D laminate finish. Durawrap™ 3D laminate is a 99.9% PVC-free material.

Dimensions



Specification Information

Step 1.

TW126.2436

Step 2. Surface Material

- A** durawrap™ 3D laminate
- P** 3D laminate A

Prices for Steps 1-2.

TW126.2436 A	\$231
P	\$211

Step 3. Surface Finish

Solid-Color

For durawrap™ 3D laminate (A)

91	white	+\$0
LU	soft white	+\$0

Wood-Grain

For durawrap™ 3D laminate (A)

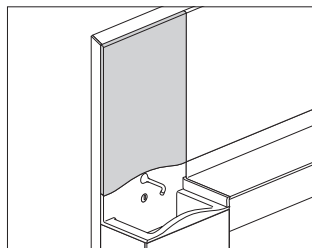
76	light brown walnut	+\$15
HX	aged cherry	+\$15
HM	natural maple	+\$15
PX	Nemschoff light cherry	+\$15
OG	honey maple	+\$15

For 3D laminate (P)

120	light maple woodgrain 3D laminate A	+\$0
121	golden maple woodgrain 3D laminate A	+\$0
122	brown walnut woodgrain 3D laminate A	+\$0
123	chocolate walnut woodgrain 3D laminate A	+\$0
124	warm cherry woodgrain 3D laminate A	+\$0
125	light teak woodgrain 3D laminate A	+\$15
126	basic white 3D laminate A	+\$0

Above-Sink Tile

TW128.

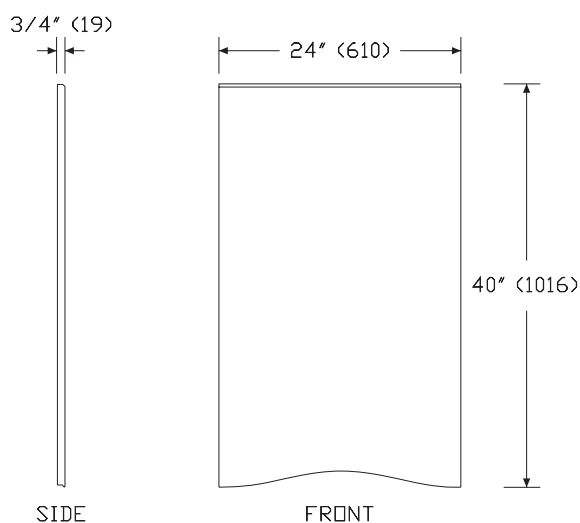


Product Information

Description

This tile attaches to 2 rail-attached stiles to finish the area above a 13"-deep sink. The bottom of the tile is contoured to match the backsplash of the sink. It is available in 3D laminate or Corian®. Durawrap™ 3D laminate is a 99.9% PVC-free material. The top and bottom edges are ship lapped (shingled); creating a flush joint between tiles that prevents liquids from seeping through.

Dimensions



Specification Information

Step 1.

TW128.

Step 2. Height

20 20" high

40 40" high

Step 3. Surface Material

For 20" high (20)

A durawrap™ 3D laminate

K corian

P 3D laminate **A**

For 40" high (40)

A durawrap™ 3D laminate

P 3D laminate **A**

Prices for Steps 1-3.

	A	K	P
TW128. 20	\$158	582	145
40	\$279	—	255

Step 4. Surface Finish

Solid-Color

For durawrap™ 3D laminate (A)

91 white +\$0

LU soft white +\$0

Wood-Grain

For durawrap™ 3D laminate (A)

76 light brown walnut +\$10

HX aged cherry +\$10

HM natural maple +\$10

PX Nemschoff light cherry +\$10

OG honey maple +\$10

Above-Sink Tile *continued*

Compass™ Walls

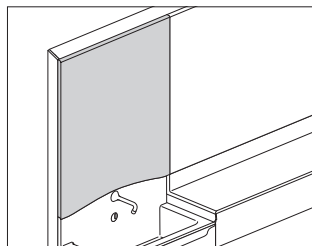
For corian (K)

1N	canyon	+\$50
CQ	glacier white	+\$0
QB	bisque	+\$0
1E	flint	+\$120
1S	savannah	+\$50
1U	sahara	+\$50
3I	mojave	+\$50
4I	sandstone	+\$50
58	cameo white	+\$0
IQ	aurora	+\$50
OQ	silt	+\$50
Q1	vanilla	+\$0
7I	raffia	+\$120
BLP	blue pebble	+\$120

For 3D laminate (P)

120	light maple woodgrain 3D laminate <input type="checkbox"/>	+\$0
121	golden maple woodgrain 3D laminate <input type="checkbox"/>	+\$0
122	brown walnut woodgrain 3D laminate <input type="checkbox"/>	+\$0
123	chocolate walnut woodgrain 3D laminate <input type="checkbox"/>	+\$0
124	warm cherry woodgrain 3D laminate <input type="checkbox"/>	+\$0
125	light teak woodgrain 3D laminate <input type="checkbox"/>	+\$10
126	basic white 3D laminate <input type="checkbox"/>	+\$0

Above-Sink Tile, ADA-Compliant Sink **TW129.**

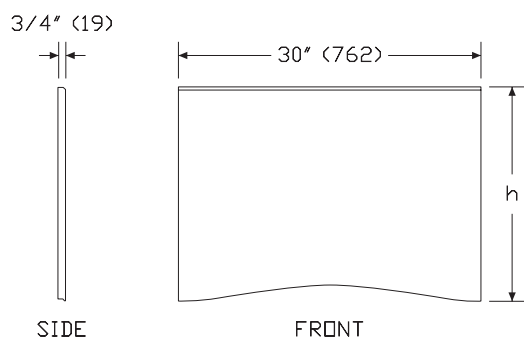


Product Information

Description

This Sink Tile attaches to two Rail-Attached Stiles, ordered separately. It has shingled, creating a flush joint between tiles that prevents liquids from seeping through.

Dimensions



Specification Information

Step 1.

TW129.

Step 2. Height

20 20" high

40 40" high

Step 3. Width

30 30" wide

Step 4. Surface Material

For 20" high (20)

A durawrap™ 3D laminate

K corian

P 3D laminate **A**

For 40" high (40)

A durawrap™ 3D laminate

P 3D laminate **A**

Prices for Steps 1-4.

	A	K	P
TW129.20 30	\$238	704	218
40 30	\$478	—	437

Step 5. Surface Finish

Solid-Color

For durawrap™ 3D laminate (A)

91 white +\$0

LU soft white +\$0

Wood-Grain

For durawrap™ 3D laminate (A)

76 light brown walnut +\$10

HM natural maple +\$10

HX aged cherry +\$10

OG honey maple +\$10

PX Nemschoff light cherry +\$10

Above-Sink Tile, ADA-Compliant Sink *continued*

Compass™ Walls

For corian (K)

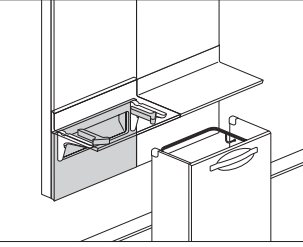
1N	canyon	+\$50
CQ	glacier white	+\$0
QB	bisque	+\$0
1E	flint	+\$120
1S	savannah	+\$50
1U	sahara	+\$50
3I	mojave	+\$50
4I	sandstone	+\$50
58	cameo white	+\$0
IQ	aurora	+\$50
OQ	silt	+\$50
Q1	vanilla	+\$0
7I	raffia	+\$120
BLP	blue pebble	+\$120

For 3D laminate (P)

120	light maple woodgrain 3D laminate <input type="checkbox"/> A	+\$0
121	golden maple woodgrain 3D laminate <input type="checkbox"/> A	+\$0
122	brown walnut woodgrain 3D laminate <input type="checkbox"/> A	+\$0
123	chocolate walnut woodgrain 3D laminate <input type="checkbox"/> A	+\$0
124	warm cherry woodgrain 3D laminate <input type="checkbox"/> A	+\$0
125	light teak woodgrain 3D laminate <input type="checkbox"/> A	+\$10
126	basic white 3D laminate <input type="checkbox"/> A	+\$0

Linen Cart Tile

TW130.



Product Information

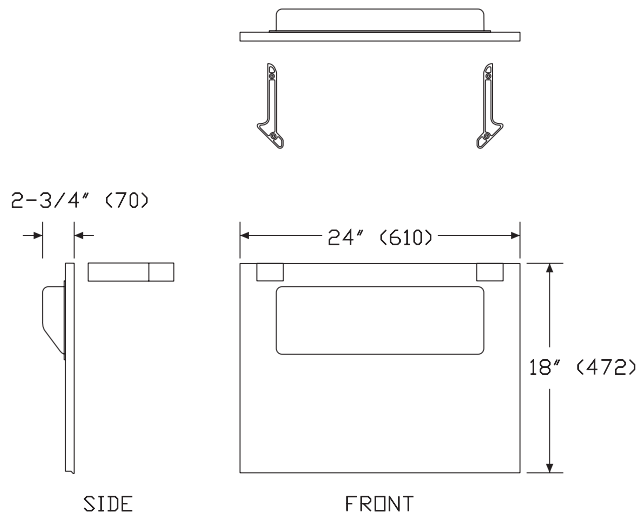
Description

This tile attaches to 2 rail-attached stiles below a work surface to provide a docking area for a linen cart. It includes 2 guides that attach to the work surface support brackets to help align the cart in its stored position. The top and bottom edges are ship lapped (shingled); creating a flush joint between tiles that prevents liquids from seeping back.

Notes

Order cantilever (TW219.) separately. Linen cart guides will attach to work surface support brackets.

Dimensions



Specification Information

Step 1.

TW130.

Step 2. Work Surface Type

- BW** work surface with backsplash
- CN** work surface without backsplash

Step 3. Surface Material

- A** durawrap™ 3D laminate
- P** 3D laminate

Prices for Steps 1-3.

	A	P
TW130. BW	\$379	359
CN	\$436	414

Step 4. Surface Finish

Solid-Color

For durawrap™ 3D laminate (A)

91	white	+\$0
LU	soft white	+\$0

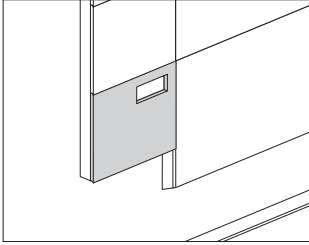
Wood-Grain

For durawrap™ 3D laminate (A)

76	light brown walnut	+\$10
HX	aged cherry	+\$10
HM	natural maple	+\$10
PX	Nemschoff light cherry	+\$10
OG	honey maple	+\$10

For 3D laminate (P)

120	light maple woodgrain 3D laminate <input type="checkbox"/>	+\$0
121	golden maple woodgrain 3D laminate <input type="checkbox"/>	+\$0
122	brown walnut woodgrain 3D laminate <input type="checkbox"/>	+\$0
123	chocolate walnut woodgrain 3D laminate <input type="checkbox"/>	+\$0
124	warm cherry woodgrain 3D laminate <input type="checkbox"/>	+\$0
125	light teak woodgrain 3D laminate <input type="checkbox"/>	+\$10
126	basic white 3D laminate <input type="checkbox"/>	+\$0



Product Information

Description

This tile attaches to 2 rail-attached stiles in the lowest position and has cutouts for various combinations of electrical access. The top and bottom edges are ship lapped (shingled); creating a flush joint between tiles that prevents liquids from seeping back. The tile has a 3D laminate surface. Durawrap™ 3D laminate is a 99.9% PVC-free material. Cutout trim plates are not included.

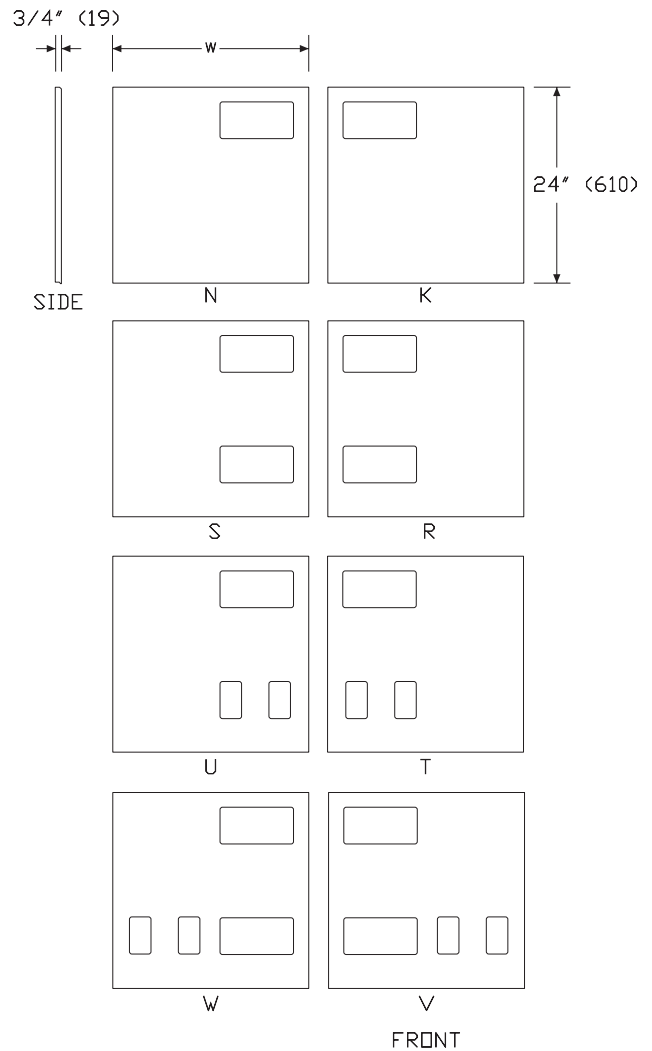
Notes

Tile attaches to the bottom position on stiles only.

Specify utility support rail (TW170.) separately for each row of cutouts in utility tile.

Specify electrical junction box attachment bracket (TW172.) for each individual cutout in utility tile.

Dimensions



Utility Tile, Electrical, Lower

continued

Specification Information

Step 1.

TW140.

Step 2. Width

18	18" wide
24	24" wide
36	36" wide
48	48" wide

Step 3. Configuration

K	3-gang cutout left, row 3
N	3-gang cutout right, row 3
R	3-gang cutout left, row 3, 3-gang cutout left, row 1
S	3-gang cutout right, row 3, 3-gang cutout right, row 1
T	3-gang cutout left, row 3, 2 single cutouts left, row 1
U	3-gang cutout right, row 3, 2 single cutouts right, row 1
V	3-gang cutout left, row 3, 3-gang and 2 single cutouts left, row 1
W	3-gang cutout right, row 3, 3-gang and 2 single cutouts right, row 1

Step 4. Surface Material

A	durawrap™ 3D laminate
P	3D laminate <input type="checkbox"/>

Prices for Steps 1-4.

	A	P
TW140. 18 K	\$167	152
N	\$167	152
R	\$178	161
S	\$178	161
T	\$190	171
U	\$190	171
V	\$201	182
W	\$201	182
24 K	\$197	182
N	\$197	182
R	\$210	191
S	\$210	191
T	\$222	201
U	\$222	201
V	\$233	214
W	\$233	214

36 K	\$233	214
N	\$233	214
R	\$245	225
S	\$245	225
T	\$255	234
U	\$255	234
V	\$268	245
W	\$268	245
48 K	\$301	276
N	\$301	276
R	\$314	287
S	\$314	287
T	\$325	297
U	\$325	297
V	\$337	308
W	\$337	308

Step 5. Surface Finish

Solid-Color

For durawrap™ 3D laminate (A)

91	white	+\$0
LU	soft white	+\$0

Wood-Grain

For durawrap™ 3D laminate (A)

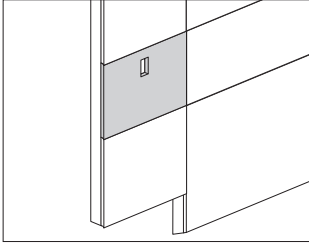
HX	aged cherry	+\$10
HM	natural maple	+\$10
76	light brown walnut	+\$10
PX	Nemschoff light cherry	+\$10
OG	honey maple	+\$10

For 3D laminate (P)

120	light maple woodgrain 3D laminate <input type="checkbox"/>	+\$0
121	golden maple woodgrain 3D laminate <input type="checkbox"/>	+\$0
122	brown walnut woodgrain 3D laminate <input type="checkbox"/>	+\$0
123	chocolate walnut woodgrain 3D laminate <input type="checkbox"/>	+\$0
124	warm cherry woodgrain 3D laminate <input type="checkbox"/>	+\$0
125	light teak woodgrain 3D laminate <input type="checkbox"/>	+\$10
126	basic white 3D laminate <input type="checkbox"/>	+\$0

Utility Tile, Electrical, Partial-Height Upper

TW141.



Compass™ Walls

Product Information

Description

This tile attaches to 2 rail-attached stiles in the middle or upper position and has cutouts for various combinations of electrical access. It can also be used for mounting a flat panel television or monitor. The top and bottom edges are ship lapped (shingled); creating a flush joint between tiles that prevents liquids from seeping back. The tile has a 3D laminate surface. Durawrap™ 3D laminate is a 99.9% PVC-free material. Cutout trim plates are not included.

Notes

Tile will not attach in the bottom tile position.

When mounting a flat panel television or monitor, specify tv/monitor support bracket (TW175.) separately.

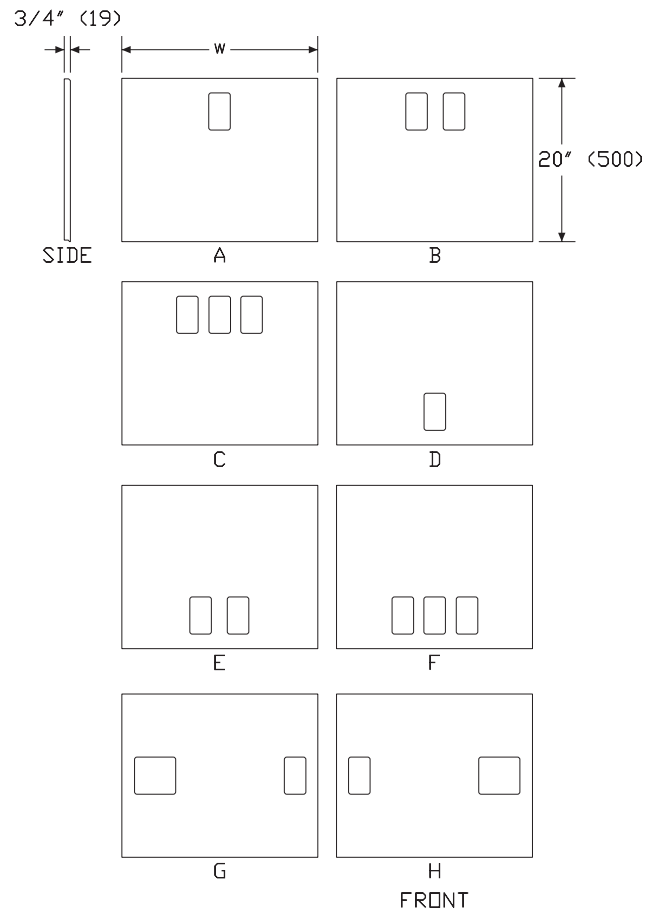
When mounting a flat panel television or monitor, specify tile with one of the following options:

- Single cutout center, row 3 option (A)
- 2 single cutouts center, row 3 option (B)
- 3 single cutouts center, row 3 option (C)

Specify utility support rail (TW170.) separately for each row of cutouts in utility tile.

Specify electrical junction box attachment bracket (TW172.) for each individual cutout in utility tile.

Dimensions



Utility Tile, Electrical, Partial-Height Upper *continued*

Specification Information

Step 1.

TW141.

Step 2. Width

18	18" wide
24	24" wide
36	36" wide
48	48" wide

Step 3. Tile Position

M	middle tile position
T	top tile position

Step 4. Configuration

For 18" wide (18), 24" wide (24), or 36" wide (36) with middle tile position (M)

A	single cutout center, row 3
B	2 single cutouts center, row 3
C	3 single cutouts center, row 3
D	single cutout center, row 1
E	2 single cutouts center, row 1
F	3 single cutouts center, row 1

For 18" wide (18), 24" wide (24), or 36" wide (36) with top tile position (T)

A	single cutout center, row 3
B	2 single cutouts center, row 3
C	3 single cutouts center, row 3

For 48" wide (48) with middle tile position (M) or top tile position (T)

A	single cutout center, row 3
B	2 single cutouts center, row 3
C	3 single cutouts center, row 3
G	3-gang cutout left, row 2, single cutout right, row 2
H	single cutout left, row 2, 3-gang cutout right, row 2

Step 5. Surface Material

A	durawrap™ 3D laminate
P	3D laminate A

Prices for Steps 1-5.

	AA	AP	BA	BP	CA	CP
TW141. 18 M	\$151	135	162	146	173	157
T	\$151	135	162	146	173	157

24 M	\$181	166	192	176	204	187
T	\$181	166	192	176	204	187
36 M	\$228	208	239	220	250	230
T	\$228	208	239	220	250	230
48 M	\$296	271	308	282	320	292
T	\$296	271	308	282	320	292

	DA	DP	EA	EP	FA	FP
TW141. 18 M	\$196	176	209	188	220	198
24 M	\$181	166	192	176	204	187
36 M	\$228	208	239	220	250	230

	GA	GP	HA	HP
TW141. 48 M	\$308	282	308	282
T	\$308	282	308	282

Step 6. Surface Finish

Solid-Color

For durawrap™ 3D laminate (A)

91	white	+\$0
LU	soft white	+\$0

Wood-Grain

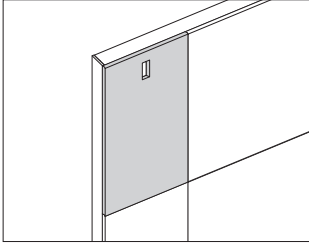
For durawrap™ 3D laminate (A)

HX	aged cherry	+\$10
HM	natural maple	+\$10
76	light brown walnut	+\$10
PX	Nemschoff light cherry	+\$10
OG	honey maple	+\$10

For 3D laminate (P)

120	light maple woodgrain 3D laminate A	+\$0
121	golden maple woodgrain 3D laminate A	+\$0
122	brown walnut woodgrain 3D laminate A	+\$0
123	chocolate walnut woodgrain 3D laminate A	+\$0
124	warm cherry woodgrain 3D laminate A	+\$0
125	light teak woodgrain 3D laminate A	+\$10
126	basic white 3D laminate A	+\$0

Utility Tile, Electrical, Full-Height Upper TW142.



Compass™ Walls

Product Information

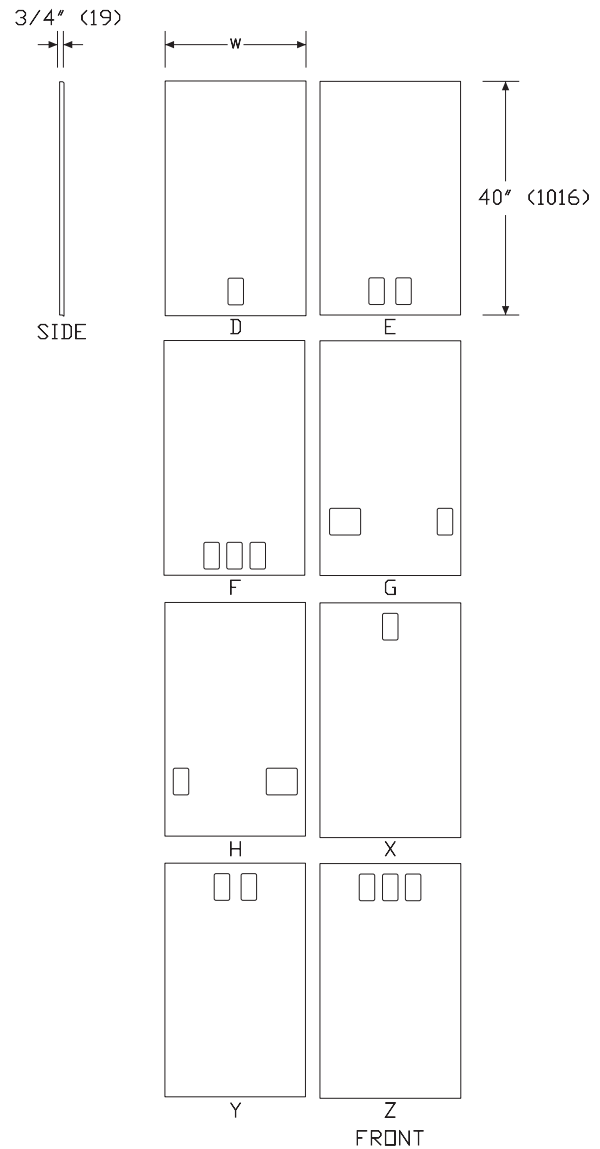
Description

This tile attaches to 2 rail-attached stiles in the middle and upper tile positions and has cutouts for various combinations of electrical access. The top and bottom edges are ship lapped (shingled); creating a flush joint between tiles that prevents liquids from seeping back. The tile has a 3D laminate surface. Durawrap™ 3D laminate is a 99.9% PVC-free material. Cutout trim plates are not included.

Notes

- Tile will not attach in the bottom tile position.
- Specify utility support rail (TW170.) separately for each row of cutouts in utility tile.
- Specify electrical junction box attachment bracket (TW172.) for each individual cutout in utility tile.

Dimensions



Utility Tile, Electrical, Full-Height Upper *continued*

Specification Information

Step 1.

TW142.

Step 2. Width

18	18" wide
24	24" wide
36	36" wide
48	48" wide

Step 3. Configuration

For 18" wide (18), 24" wide (24), or 36" wide (36)

D	single cutout center, row 1
E	2 single cutouts center, row 1
F	3 single cutouts center, row 1
X	single cutout center, row 5
Y	2 single cutouts center, row 5
Z	3 single cutouts center, row 5

For 48" wide (48)

G	3-gang cutout left, row 2, single cutout right, row 2
H	single cutout left, row 2, 3-gang cutout right, row 2
X	single cutout center, row 5
Y	2 single cutouts center, row 5
Z	3 single cutouts center, row 5

Step 4. Surface Material

A	durawrap™ 3D laminate
P	3D laminate A

Prices for Steps 1-4.

	A	P
TW142. 18 D	\$246	221
E	\$258	231
F	\$235	211
X	\$246	221
Y	\$258	231
Z	\$317	284
24 D	\$296	271
E	\$308	282
F	\$320	292
X	\$296	271
Y	\$308	282
Z	\$320	292

36 D	\$378	346
E	\$388	355
F	\$400	366
X	\$378	346
Y	\$388	355
Z	\$400	366
48 G	\$452	414
H	\$452	414
X	\$440	402
Y	\$452	414
Z	\$462	424

Step 5. Surface Finish

Solid-Color

For durawrap™ 3D laminate (A)

91	white	+\$0
LU	soft white	+\$0

Wood-Grain

For durawrap™ 3D laminate (A)

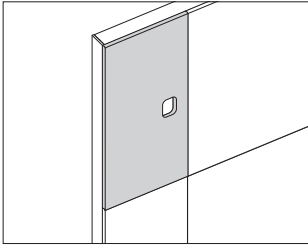
HX	aged cherry	+\$10
HM	natural maple	+\$10
76	light brown walnut	+\$10
PX	Nemschoff light cherry	+\$10
OG	honey maple	+\$10

For 3D laminate (P)

120	light maple woodgrain 3D laminate A	+\$0
121	golden maple woodgrain 3D laminate A	+\$0
122	brown walnut woodgrain 3D laminate A	+\$0
123	chocolate walnut woodgrain 3D laminate A	+\$0
124	warm cherry woodgrain 3D laminate A	+\$0
125	light teak woodgrain 3D laminate A	+\$10
126	basic white 3D laminate A	+\$0

Utility Tile, Light

TW155.



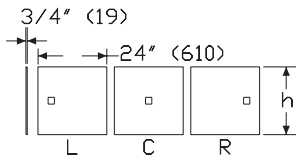
Compass™ Walls

Product Information

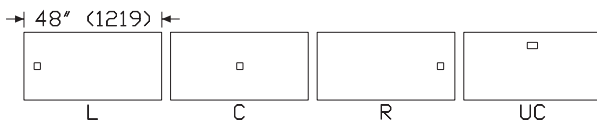
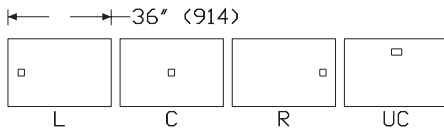
Description

The Light Tile attaches to two Rail-Attached Stiles, ordered separately. It has shingled edges to allow for liquids to more easily roll off. The mounting location always falls on the second from top location. An above bed tile (36 or 48) will have the opening in the top first position mounting an above bed light.

Dimensions



SIDE FRONT



Specification Information

Step 1.

TW155.

Step 2. Height

20	20" high
40	40" high

Step 3. Width

24	24" wide
36	36" wide
48	48" wide

Step 4. Configuration

For 24" wide (24)

L	cutout left
C	cutout center
R	cutout right

For 36" wide (36) or 48" wide (48)

L	cutout left
C	cutout center
R	cutout right
UC	upper center (above bed light application)

Step 5. Surface Material

For 20" high (20)

A	durawrap™ 3D laminate
K	corian
P	3D laminate <input type="checkbox"/> A

For 40" high (40)

A	durawrap™ 3D laminate
P	3D laminate <input type="checkbox"/> A

Prices for Steps 1-5.

	LA	LK	LP	CA	CK	CP
TW155.20 24	\$192	197	176	192	197	176
36	\$239	245	220	239	245	220
48	\$308	317	282	308	317	282
40 24	\$308	—	282	308	—	282
36	\$388	—	355	388	—	355
48	\$452	—	414	452	—	414

Utility Tile, Light *continued*

	RA	RK	RP	UCA	UCK	UCP
TW155.20 24	\$192	197	176	—	—	—
36	\$239	245	220	239	245	220
48	\$308	317	282	308	317	282
40 24	\$308	—	282	—	—	—
36	\$388	—	355	388	—	355
48	\$452	—	414	452	—	414

Step 6. Surface Finish

Solid-Color

For durawrap™ 3D laminate (A)

91	white					+\$0
LU	soft white					+\$0

Wood-Grain

For durawrap™ 3D laminate (A)

76	light brown walnut					+\$10
HM	natural maple					+\$10
HX	aged cherry					+\$10
OG	honey maple					+\$10
PX	Nemschoff light cherry					+\$10

For corian (K)

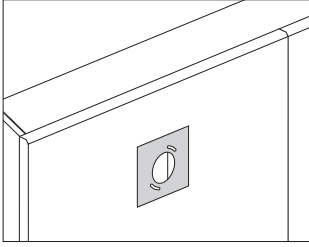
1N	canyon					+\$50
CQ	glacier white					+\$0
QB	bisque					+\$0
1E	flint					+\$120
1S	savannah					+\$50
1U	sahara					+\$50
3I	mojave					+\$50
4I	sandstone					+\$50
58	cameo white					+\$0
IQ	aurora					+\$50
OQ	silt					+\$50
Q1	vanilla					+\$0
7I	raffia					+\$120
BLP	blue pebble					+\$120

For 3D laminate (P)

120	light maple woodgrain 3D laminate	A				+\$0
121	golden maple woodgrain 3D laminate	A				+\$0
122	brown walnut woodgrain 3D laminate	A				+\$0
123	chocolate walnut woodgrain 3D laminate	A				+\$0
124	warm cherry woodgrain 3D laminate	A				+\$0
125	light teak woodgrain 3D laminate	A				+\$10
126	basic white 3D laminate	A				+\$0

Sconce Light Trim Plate

TW156.



Compass™ Walls

Product Information

Description

This trim plate is mounted to a junction box to fill the gap between the cutout of the tile and the sconce when mounting lights to the light tiles. Finish is metallic silver.

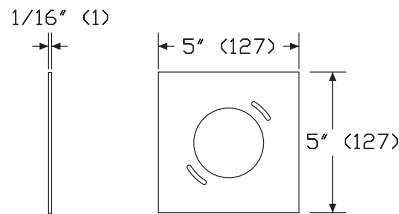
Notes

Attaches to field supplied j-box.

Specify the following products separately:

- Utility Tile, Light (TW155.)

Dimensions



Specification Information

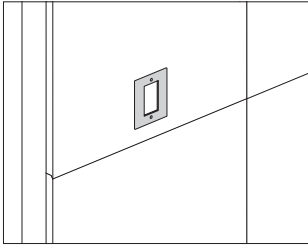
Step 1.

TW156.

\$30

Nurse Call Trim Plate

TW159.



Product Information

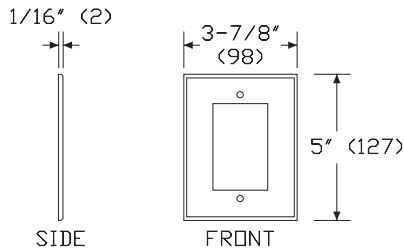
Description

This plate attaches to a utility tile to fill the gap between the cutout and a junction box trim plate when housing a device such as 37-pin connector plug, 3- or 4-gang nurse call button, code blue button, or staff assist button. Finish is metallic silver.

Notes

Nurse call trim plate works in conjunction with field-supplied junction box trim plate.

Dimensions



Specification Information

Step 1.

TW159.

Step 2. Type

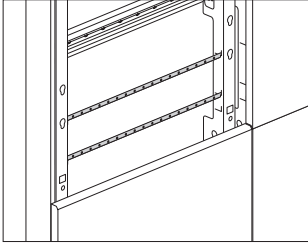
- A** single
- B** double
- C** triple
- D** quadruple

Prices for Steps 1-2.

TW159.A	\$30
B	\$30
C	\$30
D	\$30

Utility Support Rail

TW170.



Compass™ Walls

Product Information

Description

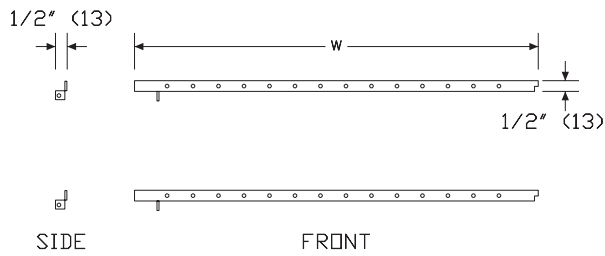
This dual rail mounts between 2 rail-attached stiles to provide attachment for electrical junction box and gas outlet attachment brackets. Package of 2 rails supports 1 row of utilities within a utility tile. Stile attachment screws included.

Notes

Specify the following products separately:

- Electrical junction box attachment bracket (TW172.)

Dimensions



Specification Information

Step 1.

TW170.

Step 2. Width

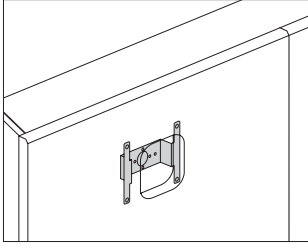
- 18** 18" wide
- 24** 24" wide
- 36** 36" wide
- 48** 48" wide

Prices for Steps 1-2.

TW170.18	\$18
24	\$22
36	\$32
48	\$40

Sconce Light Junction Box Attachment Bracket

TW171.



Product Information

Description

This bracket is used when mounting lights to the light tiles. It supports the field supplied j-box for mounting a sconce light.

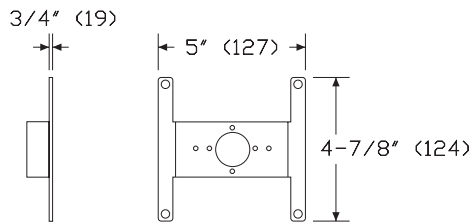
Notes

Attaches to field supplied j-box.

Specify the following products separately:

- Utility Support Rail (TW170)
- Light Tile (TW155)

Dimensions



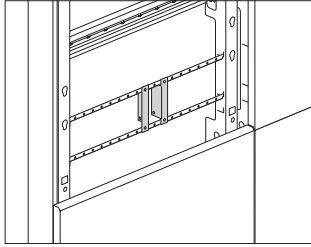
Specification Information

Step 1.

TW171.

\$33

Electrical Junction Box Attachment Bracket TW172.



Compass™ Walls

Product Information

Description

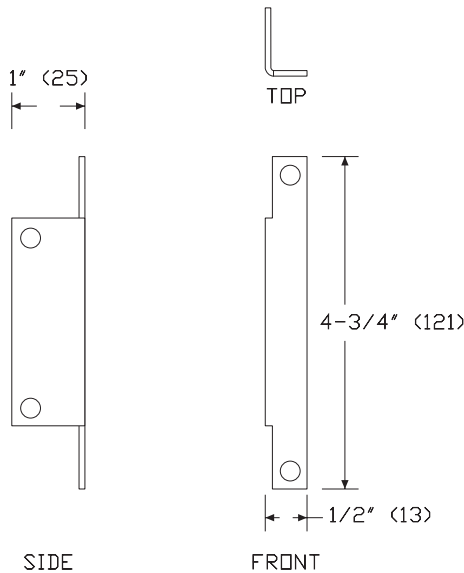
This set of L-brackets attaches to a utility support rail to support a 1-, 2-, 3-, or 4-gang electrical junction box within a utility tile. It can be specified with or without junction boxes. Rail attachment screws included.

Notes

Specify utility support rail (TW170.) separately.

Specify no junction box option (N) when junction box will be supplied in the field.

Dimensions



Specification Information

Step 1.

TW172.

Step 2. Quantity

- 1** pkg of 2 for 1 junction box
- 2** pkg of 12 for 6 junction boxes
- 3** pkg of 60 for 30 junction boxes

Prices for Steps 1-2.

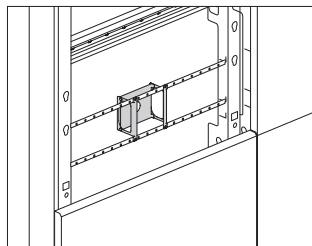
TW172. 1	\$18
2	\$92
3	\$452

Step 3. Junction Box Type

		1	2	3
N	no junction box	+\$0	0	0
A	1-gang junction box(es)	+\$10	57	284
B	2-gang junction box(es)	+\$16	95	473
C	3-gang junction box(es)	+\$21	126	630
D	4-gang junction box(es)	+\$29	170	851

Electrical 4x4 Junction Box Attachment Bracket

TW174.



Product Information

Description

This bracket attaches 1 4x4 junction box to a utility support rail. It can be used with 3/4" or 1" conduit alignment. Package contains 2 brackets. Rail attachment screws included.

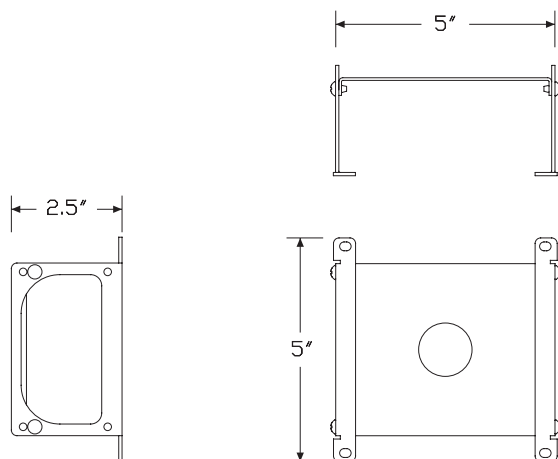
Notes

Specify utility support rail (TW170.) separately.

Offers adjustment for 3/4" or 1" conduit alignment.

Shipped in 3/4" conduit alignment.

Dimensions



Specification Information

Step 1.

TW174.

Step 2. Quantity

1 pkg for ONE 4x4 junction box

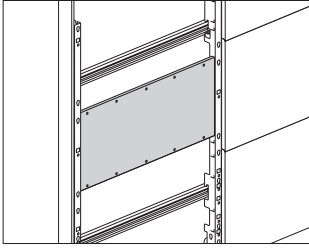
Prices for Steps 1-2.

TW174.1

\$74

TV/Monitor Support Bracket

TW175.



Compass™ Walls

Product Information

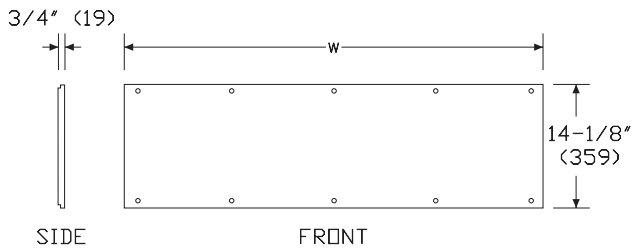
Description

This bracket attaches between 2 rail-attached stiles to provide support when mounting a flat panel television or monitor to a utility tile.

Notes

Specify utility tile, electrical, partial-height upper (TW141.) separately.

Dimensions



Specification Information

Step 1.

TW175.

Step 2. Width

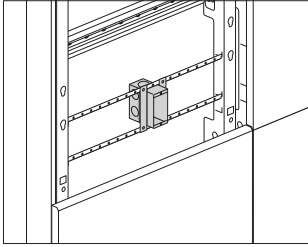
36 36" wide

48 48" wide

Prices for Steps 1-2.

TW175.36	\$95
48	\$111

1" Conduit Electrical Junction Box TW176.



Product Information

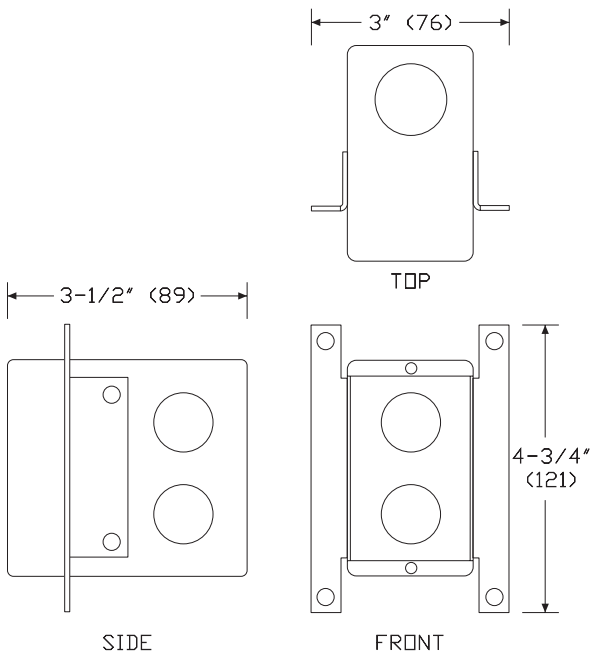
Description

This conduit junction box allows up to 4 Category 6a and other large volume cables to be brought in behind the compass structure without disrupting utility rails, tiles, or other components. This is designed for flexible conduit only.

Notes

Conduit access hole is either top or bottom only, not both.
Specify utility support rail (TW170.) separately.

Dimensions



Specification Information

Step 1.

TW176.

Step 2. Quantity

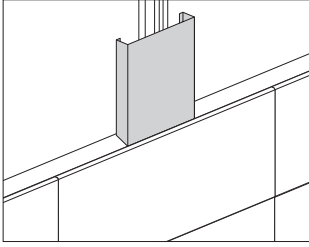
- 1 pkg for 1 junction box
- 2 pkg for 6 junction boxes
- 3 pkg for 30 junction boxes

Prices for Steps 1-2.

TW176.1	\$47
2	\$259
3	\$1292

Chase

TW180.



Compass™ Walls

Product Information

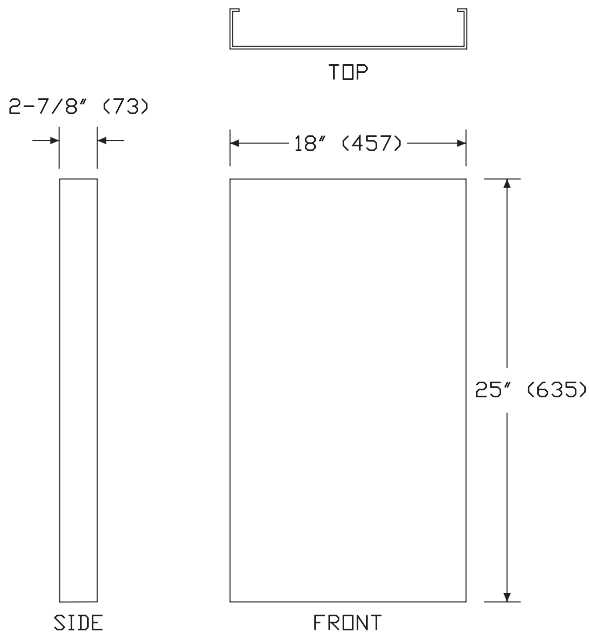
Description

This chase attaches to an architectural wall to hide gas and electrical utilities routed from the ceiling. It can be painted in the field. Attachment hardware included.

Notes

Chase is designed to be used with 64"-high stiles in rooms with a ceiling height between 8'6" and 9' high. For other chase sizes, contact Options. Chase accommodates up to 9 1" cables or lines with 1" space between.

Dimensions

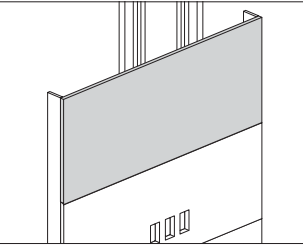


Specification Information

Step 1.

TW180.

\$185



Product Information

Description

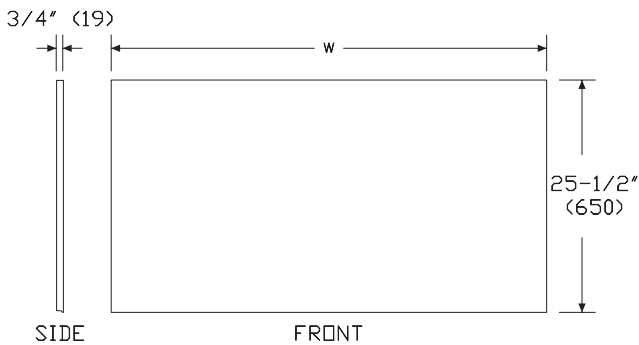
This tile attaches to chase tile stiles to hide gas and electrical utilities routed from the ceiling. It has a 3D laminate surface. Durawrap™ 3D laminate is a 99.9% PVC-free material.

Notes

Specify stile, chase tile (TW114.) separately.

Chase tile is designed to be used with 64"-high stiles in rooms with a ceiling height between 8'6" and 9' high. For other chase sizes, contact Options.

Dimensions



Specification Information

Step 1.

TW182.

Step 2. Width

- 24** 24" wide
- 36** 36" wide
- 48** 48" wide

Step 3. Surface Material

- A** durawrap™ 3D laminate
- P** 3D laminate

Prices for Steps 1-3.

	A	P
TW182. 24	\$310	283
36	\$338	308
48	\$355	324

Step 4. Surface Finish

Solid-Color

For durawrap™ 3D laminate (A)

- 91** white +\$0
- LU** soft white +\$0

Wood-Grain

For durawrap™ 3D laminate (A)

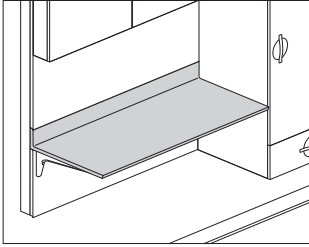
- 76** light brown walnut +\$10
- HX** aged cherry +\$10
- HM** natural maple +\$10
- PX** Nemschoff light cherry +\$10
- OG** honey maple +\$10

For 3D laminate (P)

- 120** light maple woodgrain 3D laminate +\$0
- 121** golden maple woodgrain 3D laminate +\$0
- 122** brown walnut woodgrain 3D laminate +\$0
- 123** chocolate walnut woodgrain 3D laminate +\$0
- 124** warm cherry woodgrain 3D laminate +\$0
- 125** light teak woodgrain 3D laminate +\$10
- 126** basic white 3D laminate +\$0

Work Surface

TW210.
TW211.



Compass™ Surfaces

Product Information

Description

This work surface attaches to a work surface tile and is available in 3D laminate or Corian®. Durawrap™ 3D laminate is a 99.9% PVC-free material. It can be specified with an integrated backsplash or without and can mount on cantilevers, a drawer module, or a combination of both.

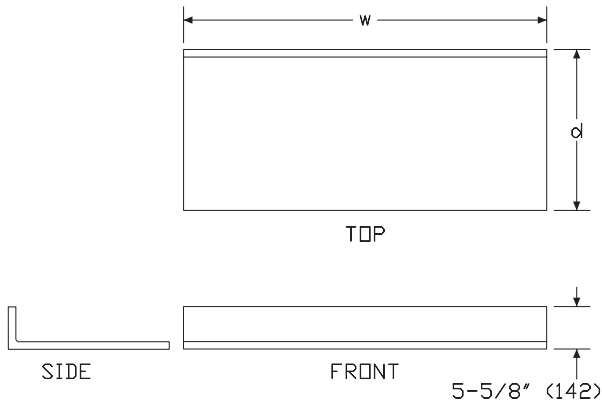
Notes

A surface up to 48" wide requires 2 supports. 54" wide and wider surfaces require 3 supports.

Specify the following products separately:

- Cantilever (TW219.)
- Drawer Module (TW310.)
- Work surface tile (TW124.)

Dimensions



Specification Information

Step 1.

TW21

Step 2. Backsplash

- 0. with backsplash
- 1. without backsplash

Step 3. Depth

- 13 13" deep
- 21 21" deep

Step 4. Width

- 12 12" wide
- 18 18" wide
- 24 24" wide
- 30 30" wide
- 36 36" wide
- 42 42" wide
- 48 48" wide
- 54 54" wide
- 60 60" wide
- 66 66" wide
- 72 72" wide

Step 5. Surface Material

For with backsplash (0.)

- A durawrap™ 3D laminate
- K corian

For without backsplash (1.)

- A durawrap™ 3D laminate
- K corian
- P 3D laminate A

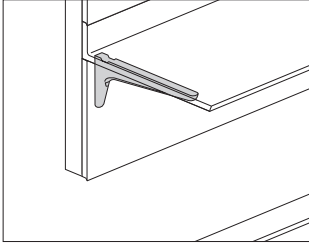
Prices for Steps 1-5.			
	A	K	P
TW210.13			
12	\$414	456	—
18	\$458	502	—
24	\$502	549	—
30	\$560	641	—
36	\$621	767	—
42	\$709	873	—
48	\$796	979	—
54	\$879	1085	—
60	\$960	1192	—
66	\$1043	1298	—
72	\$1125	1404	—
21			
12	\$484	526	—
18	\$558	615	—
24	\$632	703	—
30	\$720	881	—
36	\$807	1060	—
42	\$1014	1170	—
48	\$1219	1278	—
54	\$1249	1460	—
60	\$1278	1641	—
66	\$1306	1816	—
72	\$1336	1992	—
	A	K	P
TW211.13			
12	\$197	392	181
18	\$204	410	187
24	\$211	428	192
30	\$285	450	259
36	\$296	588	270
42	\$321	663	293
48	\$346	738	315
54	\$370	816	337
60	\$394	894	360
66	\$426	975	388
72	\$456	1055	417

21	12	\$224	416	202
18		\$243	496	222
24		\$261	576	239
30		\$311	741	284
36		\$346	875	322
42		\$370	963	341
48		\$394	1049	360
54		\$420	1198	382
60		\$444	1347	404
66		\$474	1496	433
72		\$505	1647	460

Step 6. Surface Finish			
Solid-Color			
<i>For with backsplash (o.) or without backsplash (1.) with durawrap™ 3D laminate (A)</i>			
91	white		+\$0
LU	soft white		+\$0
Wood-Grain			
<i>For without backsplash (1.) with durawrap™ 3D laminate (A)</i>			
76	light brown walnut		+\$10
HM	natural maple		+\$10
HX	aged cherry		+\$10
OG	honey maple		+\$10
PX	Nemschoff light cherry		+\$10
<i>For corian (K)</i>			
1N	canyon		+\$50
CQ	glacier white		+\$0
QB	bisque		+\$0
1E	flint		+\$120
1S	savannah		+\$50
1U	sahara		+\$50
3I	mojave		+\$50
4I	sandstone		+\$50
58	cameo white		+\$0
IQ	aurora		+\$50
OQ	silt		+\$50
Q1	vanilla		+\$0
7I	raffia		+\$120
BLP	blue pebble		+\$120
<i>For without backsplash (1.) with 3D laminate (P)</i>			
126	basic white 3D laminate	A	+\$0

Cantilever

TW219.



Compass™ Surfaces

Product Information

Description
This single cantilever supports a work surface at either end, or in the middle. Finish is metallic silver.

Notes
Specify the following products separately:
 • Work surface (TW210.)
 • Work surface tile (TW124.)

Dimensions

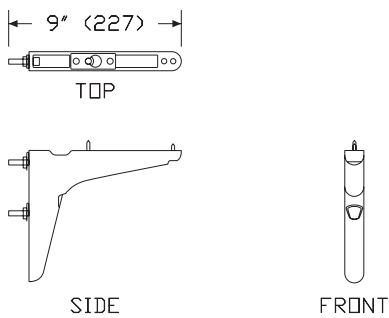
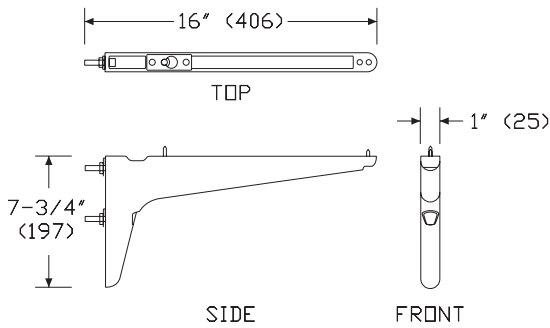
Specification Information

Step 1.
TW219.

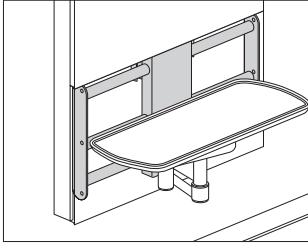
Step 2. Depth
13 for 13" deep work surface
21 for 21" deep work surface

Prices for Steps 1-2.

TW219.13	\$64
21	\$80



Rotating Work Surface Support
Bracket TW229.



Product Information

Description

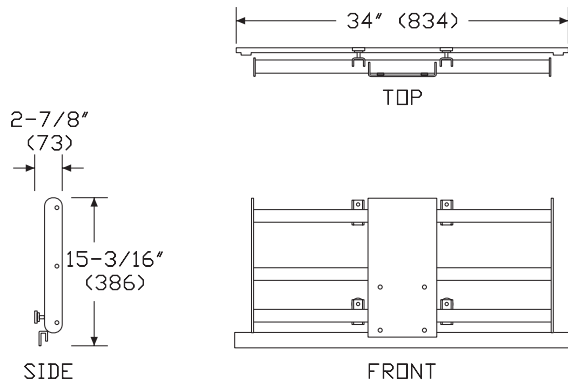
This support bracket attaches between 2 rail-attached stiles behind a rotating work surface tile to support a rotating work surface.

Notes

Specify the following products separately:

- Rotating work surface arm (TW221.)
- Rotating work surface top (TW222.)
- Rotating work surface tile (TW126.)

Dimensions



Specification Information

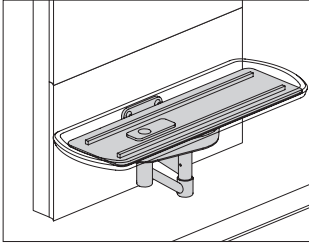
Step 1.

TW229.36

\$183

Rotating Work Surface Arm

TW221.



Compass™ Surfaces

Product Information

Description

This arm attaches to a rotating work surface tile and accepts the rotating work surface top. The rotating arm finish is metallic silver.

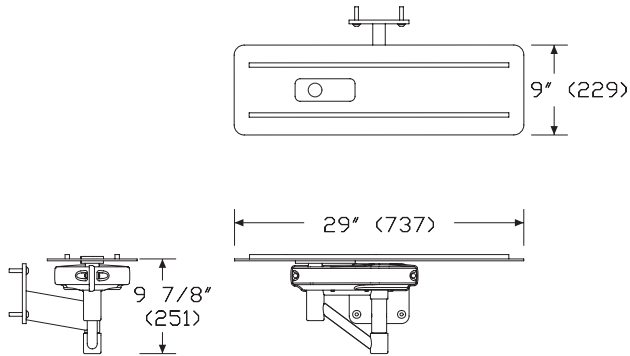
Notes

Surface can be used in seated- or standing-height applications.

Specify the following products separately:

- Rotating work surface support bracket (TW229.)
- Rotating work surface tile (TW126.)
- Rotating work surface top (TW222.)

Dimensions



Specification Information

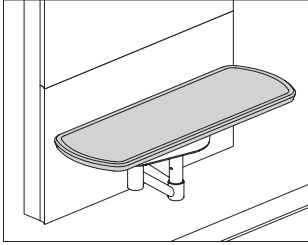
Step 1.

TW221.

\$1781

Rotating Work Surface Top

TW222.



Product Information

Description

This extendable surface attaches to a rotating work surface arm and has a 3D laminate or Corian® finish. Durawrap™ 3D laminate is a 99.9% PVC-free material.

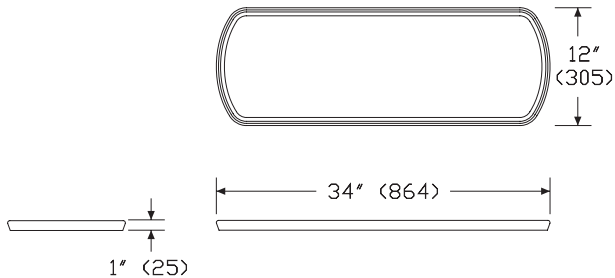
Notes

Surface can be used in seated- or standing-height applications.

Specify the following products separately:

- Rotating work surface support bracket (TW229.)
- Rotating work surface tile (TW126.)
- Rotating work surface arm (TW221.)

Dimensions



Specification Information

Step 1.

TW222.

Step 2. Surface Material

- A** durawrap™ 3D laminate
- K** corian
- P** 3D laminate A

Prices for Steps 1-2.

TW222.A	\$307
K	\$702
P	\$281

Step 3. Surface Finish

Solid-Color

For durawrap™ 3D laminate (A)

91 white	+\$0
LU soft white	+\$0

Wood-Grain

For durawrap™ 3D laminate (A)

76 light brown walnut	+\$10
HX aged cherry	+\$10
HM natural maple	+\$10
PX Nemschoff light cherry	+\$10
OG honey maple	+\$10

For corian (K)

1N canyon	+\$50
CQ glacier white	+\$0
QB bisque	+\$0
1E flint	+\$120
1S savannah	+\$50
1U sahara	+\$50
3I mojave	+\$50
4I sandstone	+\$50
58 cameo white	+\$0
IQ aurora	+\$50
OQ silt	+\$50
Q1 vanilla	+\$0
7I raffia	+\$120
BLP blue pebble	+\$120

Rotating Work Surface Top *continued*

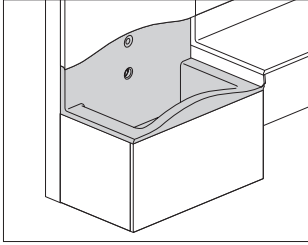
Compass™ Surfaces

For 3D laminate (P)

120	light maple woodgrain 3D laminate <input type="checkbox"/> A	+\$0
121	golden maple woodgrain 3D laminate <input type="checkbox"/> A	+\$0
122	brown walnut woodgrain 3D laminate <input type="checkbox"/> A	+\$0
123	chocolate walnut woodgrain 3D laminate <input type="checkbox"/> A	+\$0
124	warm cherry woodgrain 3D laminate <input type="checkbox"/> A	+\$0
125	light teak woodgrain 3D laminate <input type="checkbox"/> A	+\$10
126	basic white 3D laminate <input type="checkbox"/> A	+\$0

Sink, 13" Deep

TW230.



Product Information

Description

This Corian® sink attaches to 2 rail-attached stiles and has an integrated backsplash. The backsplash is curved and can be specified with holes to accept a faucet (TW239.). Drain assembly not included.

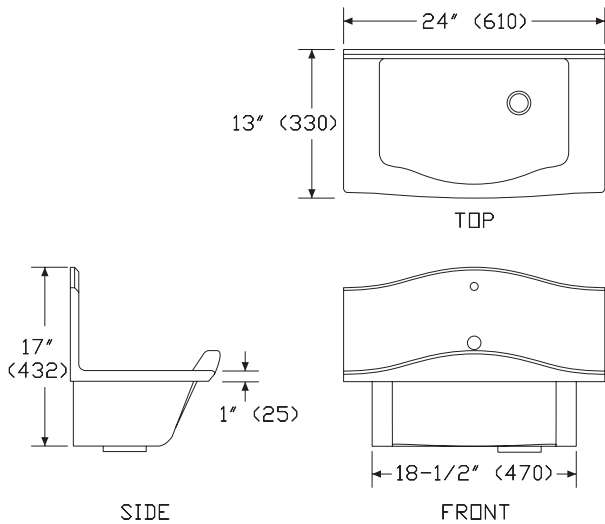
Notes

Sink does not have an overflow hole.

Specify the following products separately:

- Above sink tile (TW128.)
- Faucet (TW239.)
- Sink enclosure (TW232.)

Dimensions



Specification Information

Step 1.

TW230.1324

Step 2. Type

H faucet holes

N no faucet holes

Prices for Steps 1-2.

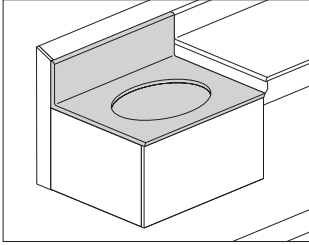
TW230.1324 H	\$2467
N	\$2442

Step 3. Surface Finish

1N canyon <input type="checkbox"/>	+\$180
CQ glacier white <input type="checkbox"/>	+\$0
QB bisque <input type="checkbox"/>	+\$0
1E flint <input type="checkbox"/>	+\$320
1S savannah <input type="checkbox"/>	+\$180
1U sahara <input type="checkbox"/>	+\$180
3I mojave <input type="checkbox"/>	+\$180
4I sandstone <input type="checkbox"/>	+\$180
58 cameo white <input type="checkbox"/>	+\$0
IQ aurora <input type="checkbox"/>	+\$180
OQ silt <input type="checkbox"/>	+\$180
Q1 vanilla <input type="checkbox"/>	+\$0
7I raffia <input type="checkbox"/>	+\$320
BLP blue pebble <input type="checkbox"/>	+\$320

Sink, 21" Deep

TW231.



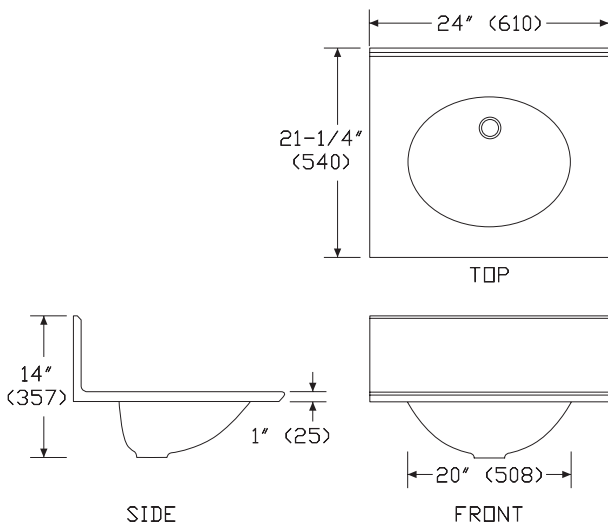
Compass™ Surfaces

Product Information

Description
This Corian® sink attaches to 2 rail-attached stiles and has an integrated backsplash.

Notes
Specify sink enclosure (TW232.) separately.
Sink does not accept faucet (TW239.). Faucet must be field-supplied.

Dimensions



Specification Information

Step 1.
TW231.2124N [A] \$1402

Step 2. Sink Top Finish

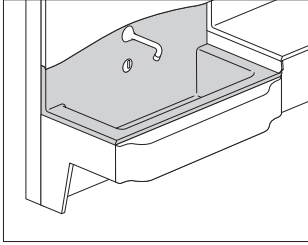
1N	canyon [A]	+\$60
CQ	glacier white [A]	+\$0
QB	bisque [A]	+\$0
1E	flint [A]	+\$140
1S	savannah [A]	+\$60
1U	sahara [A]	+\$60
3I	mojave [A]	+\$60
4I	sandstone [A]	+\$60
58	cameo white [A]	+\$0
IQ	aurora [A]	+\$60
OQ	silt [A]	+\$60
Q1	vanilla [A]	+\$0
7I	raffia [A]	+\$140
BLP	blue pebble [A]	+\$140

Step 3. Sink Bowl Finish

CQ	glacier white [A]	+\$0
QB	bisque [A]	+\$0
58	cameo white [A]	+\$0
Q1	vanilla [A]	+\$0

Sink, ADA Compliant

TW235.



Product Information

Description

This ADA designed Corian sink attaches to 2 rail-attached stiles and has an integrated backsplash. The backslash can be specified with holes to accept a faucet (TW239). Drain assembly not included.

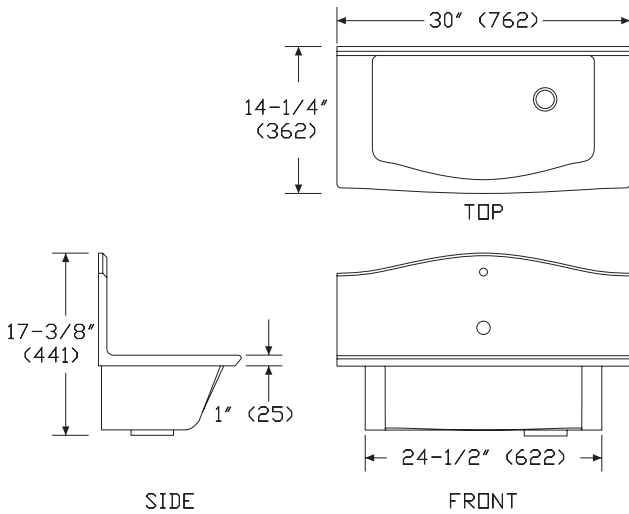
Notes

Sink does not have an overflow hole.

Specify the following products separately:

- Above sink tile (TW129)
- Faucet (TW239)

Dimensions



Specification Information

Step 1.

TW235.1330 [A]

Step 2. Type

- H** faucet holes [A]
- N** no faucet holes [A]

Prices for Steps 1-2.

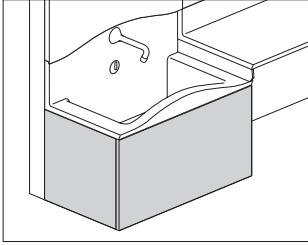
TW235.1330 H	\$3222
N	\$2992

Step 3. Surface Finish

1N canyon [A]	+\$210
CQ glacier white [A]	+\$0
QB bisque [A]	+\$0
1E flint [A]	+\$280
1S savannah [A]	+\$210
1U sahara [A]	+\$210
3I mojave [A]	+\$210
4I sandstone [A]	+\$210
58 cameo white [A]	+\$0
IQ aurora [A]	+\$210
OQ silt [A]	+\$210
Q1 vanilla [A]	+\$0
7I raffia [A]	+\$280
BLP blue pebble [A]	+\$280

Sink Enclosure

TW232.



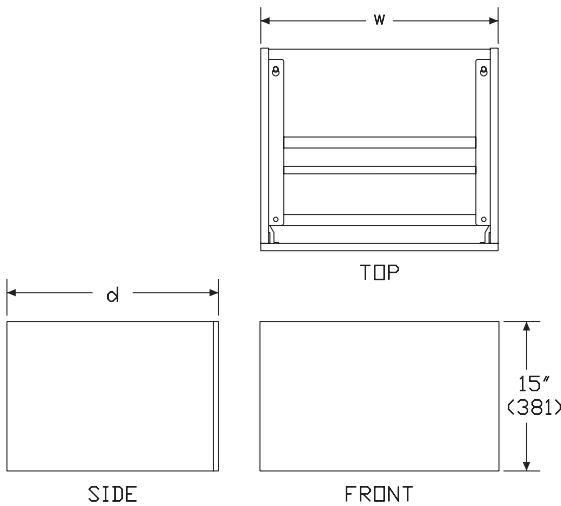
Compass™ Surfaces

Product Information

Description

This enclosure attaches to a 13"- or 21"-deep sink to finish the area below the sink top and hide the plumbing. It has a 3D laminate surface. Durawrap™ 3D laminate is a 99.9% PVC-free material. Attachment hardware included.

Dimensions



Specification Information

Step 1.

TW232.

Step 2. Depth

- 13** 13" deep
- 21** 21" deep

Step 3. Width

- 24** 24" wide

Step 4. Surface Material

- A** durawrap™ 3D laminate
- P** 3D laminate A

Prices for Steps 1-4.

	A	P
TW232. 13 24	\$606	554
21 24	\$853	778

Step 5. Side Finish

Solid-Color

For durawrap™ 3D laminate (A)

91	white	+\$0
LU	soft white	+\$0

Wood-Grain

For durawrap™ 3D laminate (A)

76	light brown walnut	+\$10
HX	aged cherry	+\$10
HM	natural maple	+\$10
PX	Nemschoff light cherry	+\$10
OG	honey maple	+\$10

For 3D laminate (P)

120	light maple woodgrain 3D laminate A	+\$0
121	golden maple woodgrain 3D laminate A	+\$0
122	brown walnut woodgrain 3D laminate A	+\$0
123	chocolate walnut woodgrain 3D laminate A	+\$0
124	warm cherry woodgrain 3D laminate A	+\$0
125	light teak woodgrain 3D laminate A	+\$10
126	basic white 3D laminate A	+\$0

Sink Enclosure *continued*

Step 6. Front Finish

Solid-Color

For durawrap™ 3D laminate (A)

91	white	+\$0
LU	soft white	+\$0

Wood-Grain

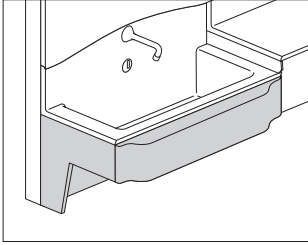
For durawrap™ 3D laminate (A)

76	light brown walnut	+\$10
HX	aged cherry	+\$10
HM	natural maple	+\$10
PX	Nemschoff light cherry	+\$10
OG	honey maple	+\$10

For 3D laminate (P)

120	light maple woodgrain 3D laminate A	+\$0
121	golden maple woodgrain 3D laminate A	+\$0
122	brown walnut woodgrain 3D laminate A	+\$0
123	chocolate walnut woodgrain 3D laminate A	+\$0
124	warm cherry woodgrain 3D laminate A	+\$0
125	light teak woodgrain 3D laminate A	+\$10
126	basic white 3D laminate A	+\$0

Sink Enclosure, ADA-Compliant Sink TW233.

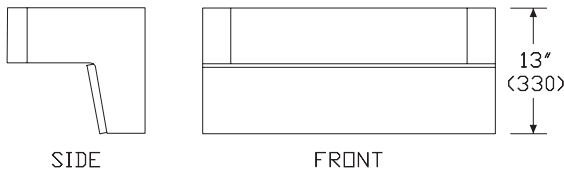
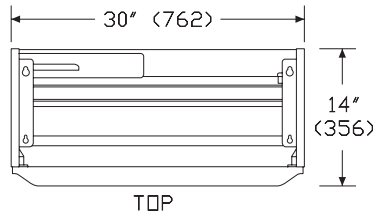


Compass™ Surfaces

Product Information

Description
 This enclosure attaches to an ADA sink to finish the area below the sink top and hide the plumbing. It has a 3D laminate surface. Durawrap™ 3D laminate is a 99.9% PVC-free material. Attachment hardware included.

Dimensions



Specification Information

Step 1.

TW233.1330

Step 2. Surface Material

- A** durawrap™ 3D laminate
- P** 3D laminate A

Prices for Steps 1-2.

TW233.1330	A	\$770
	P	\$703

Step 3. Side Finish

Solid-Color

For durawrap™ 3D laminate (A)

91	white	+\$0
LU	soft white	+\$0

Wood-Grain

For durawrap™ 3D laminate (A)

76	light brown walnut	+\$10
HM	natural maple	+\$10
HX	aged cherry	+\$10
OG	honey maple	+\$10
PX	Nemschoff light cherry	+\$10

For 3D laminate (P)

120	light maple woodgrain 3D laminate A	+\$0
121	golden maple woodgrain 3D laminate A	+\$0
122	brown walnut woodgrain 3D laminate A	+\$0
123	chocolate walnut woodgrain 3D laminate A	+\$0
124	warm cherry woodgrain 3D laminate A	+\$0
125	light teak woodgrain 3D laminate A	+\$10
126	basic white 3D laminate A	+\$0

Step 4. Front Finish

Solid-Color

For durawrap™ 3D laminate (A)

91	white	+\$0
LU	soft white	+\$0

Sink Enclosure, ADA-Compliant

Sink *continued*

Wood-Grain

For durawrap™ 3D laminate (A)

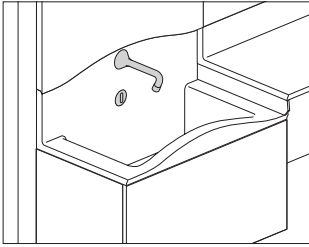
76	light brown walnut	+\$15
HM	natural maple	+\$15
HX	aged cherry	+\$15
OG	honey maple	+\$15
PX	Nemschoff light cherry	+\$15

For 3D laminate (P)

120	light maple woodgrain 3D laminate A	+\$0
121	golden maple woodgrain 3D laminate A	+\$0
122	brown walnut woodgrain 3D laminate A	+\$0
123	chocolate walnut woodgrain 3D laminate A	+\$0
124	warm cherry woodgrain 3D laminate A	+\$0
125	light teak woodgrain 3D laminate A	+\$15
126	basic white 3D laminate A	+\$0

Faucet

TW239.



Product Information

Description

This faucet is designed to work with a 13"-deep sink and includes a hands-free sensor. Supply-line hoses, shutoff valves, mixing valve and drain hardware not included.

Notes

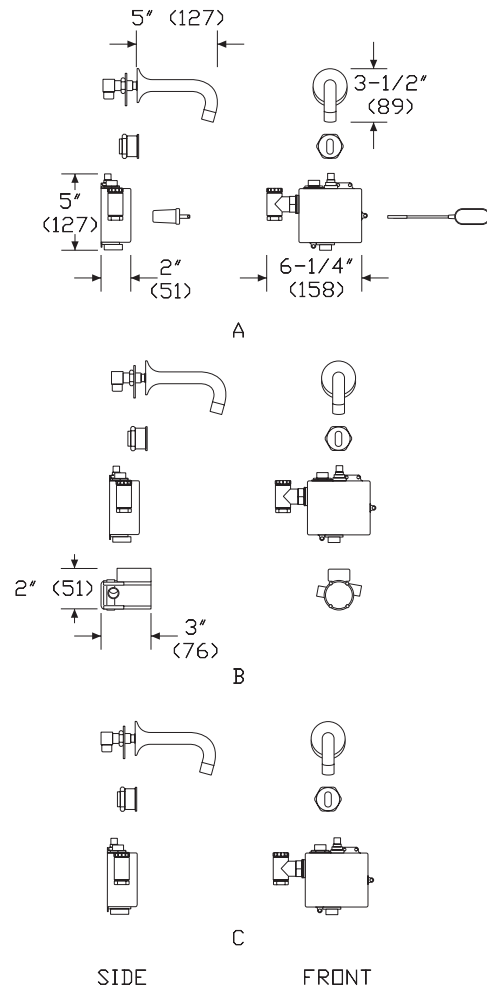
AC powered faucet sensor option (A) requires an electrical outlet to plug into. It is recommended that the outlet be located to fit inside the sink surround.

Hydro-powered faucet sensor option (B) is self charging and does not require an outlet.

Battery powered faucet sensor option (C) uses 4 AA batteries (included).

Compass™ Surfaces

Dimensions



Specification Information

Step 1.

TW239.

Step 2. Faucet Sensor Type

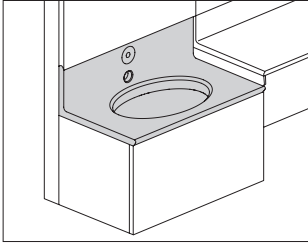
- A** ac powered faucet sensor
- B** hydro-powered faucet sensor
- C** battery powered faucet sensor

Prices for Steps 1-2.

TW239.A	\$1209
B	\$1401
C	\$1128

Sink, Basic 13" Deep

TW234.



Compass™ Surfaces

Product Information

Description

This Corian® sink attaches to 2 rail-attached stiles and has an integrated backsplash. It can be specified with holes to accept a faucet. Drain assembly not included.

Notes

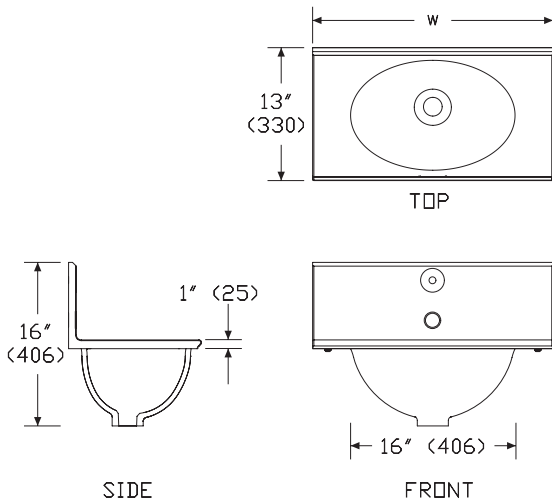
Sink bowl is a Corian glacier white finish.

Sink does not have an overflow hole.

Specify the following products separately:

- Faucet (TW239.)
- Sink enclosure (TW232.)

Dimensions



Specification Information

Step 1.

TW234.13

Step 2. Width

24 24" wide

Step 3. Type

H faucet holes

N no faucet holes

Prices for Steps 1-3.

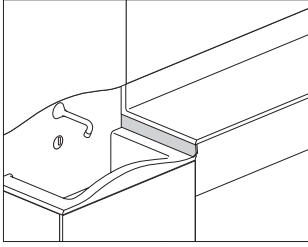
	H	N
TW234.13 24	\$1376	1325

Step 4. Sink Top Finish

1E	flint <input type="checkbox"/>	+\$140
1N	canyon <input type="checkbox"/>	+\$60
1S	savannah <input type="checkbox"/>	+\$60
1U	sahara <input type="checkbox"/>	+\$60
3I	mojave <input type="checkbox"/>	+\$60
4I	sandstone <input type="checkbox"/>	+\$60
58	cameo white <input type="checkbox"/>	+\$0
7I	raffia <input type="checkbox"/>	+\$140
BLP	blue pebble <input type="checkbox"/>	+\$140
CQ	glacier white <input type="checkbox"/>	+\$0
IQ	aurora <input type="checkbox"/>	+\$60
OQ	silt <input type="checkbox"/>	+\$60
Q1	vanilla <input type="checkbox"/>	+\$0
QB	bisque <input type="checkbox"/>	+\$0

Sidesplash

TW242.



Product Information

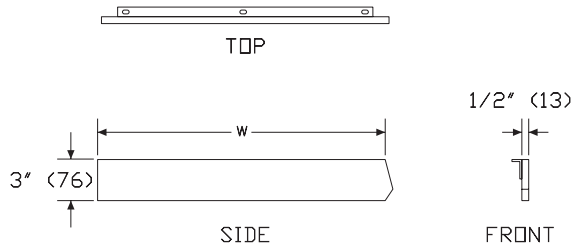
Description

This sidesplash attaches to the left or right side of a 13"- or 21"-deep sink top to fill the gap between the edge of the sink and an adjacent standing-height work surface. Finish is Corian®. Attachment hardware included.

Notes

It is recommended to caulk the seam between the sidesplash and surface.

Dimensions



Specification Information

Step 1.

TW242. [A]

Step 2. Width

13 13" wide [A]

21 21" wide [A]

Step 3. Orientation

L left [A]

R right [A]

Step 4. Attachment Method

A durawrap™ 3D laminate or 3D laminate work surface attachment [A]

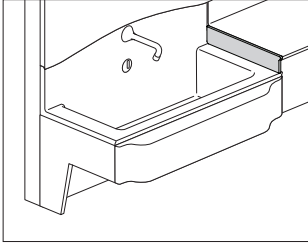
B corian work surface attachment [A]

Prices for Steps 1-4.

	A	B
TW242. 13 L	\$199	195
R	\$199	195
21 L	\$213	208
R	\$213	208

Step 5. Surface Finish

1N canyon [A]	+\$50
CQ glacier white [A]	+\$0
QB bisque [A]	+\$0
1E flint [A]	+\$75
1S savannah [A]	+\$50
1U sahara [A]	+\$50
3I mojave [A]	+\$50
4I sandstone [A]	+\$50
58 cameo white [A]	+\$0
IQ aurora [A]	+\$50
OQ silt [A]	+\$50
Q1 vanilla [A]	+\$0
7I raffia [A]	+\$75
BLP blue pebble [A]	+\$75



Compass™ Surfaces

Product Information

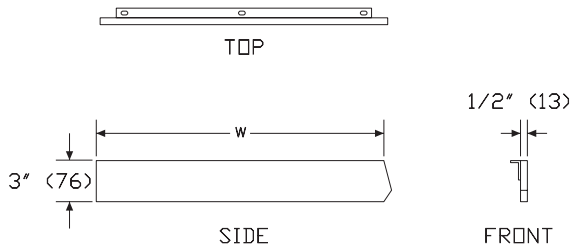
Description

This sidesplash attaches to the left or right side of a 13"-deep ADA compliant sink top to fill the gap between the edge of the sink and an adjacent standing-height work surface. Finish is Corian®. Attachment hardware included.

Notes

It is recommended to caulk the seam between the sidesplash and surface.

Dimensions



Specification Information

Step 1.

TW243. [A]

Step 2. Width

13 13" wide [A]

Step 3. Orientation

L left [A]

R right [A]

Step 4. Attachment Method

A durawrap™ 3D laminate or 3D laminate work surface attachment [A]

B corian work surface attachment [A]

Prices for Steps 1-4.

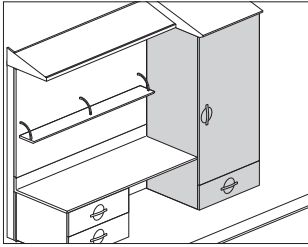
	A	B
TW243. 13 L	\$216	211
R	\$216	211

Step 5. Surface Finish

58	cameo white [A]	+\$0
CQ	glacier white [A]	+\$0
Q1	vanilla [A]	+\$0
QB	bisque [A]	+\$0
1N	canyon [A]	+\$50
1S	savannah [A]	+\$50
1U	sahara [A]	+\$50
3I	mojave [A]	+\$50
4I	sandstone [A]	+\$50
IQ	aurora [A]	+\$50
OQ	silt [A]	+\$50
1E	flint [A]	+\$75
7I	raffia [A]	+\$75
BLP	blue pebble [A]	+\$75

Wardrobe Cabinet

TW300.



Product Information

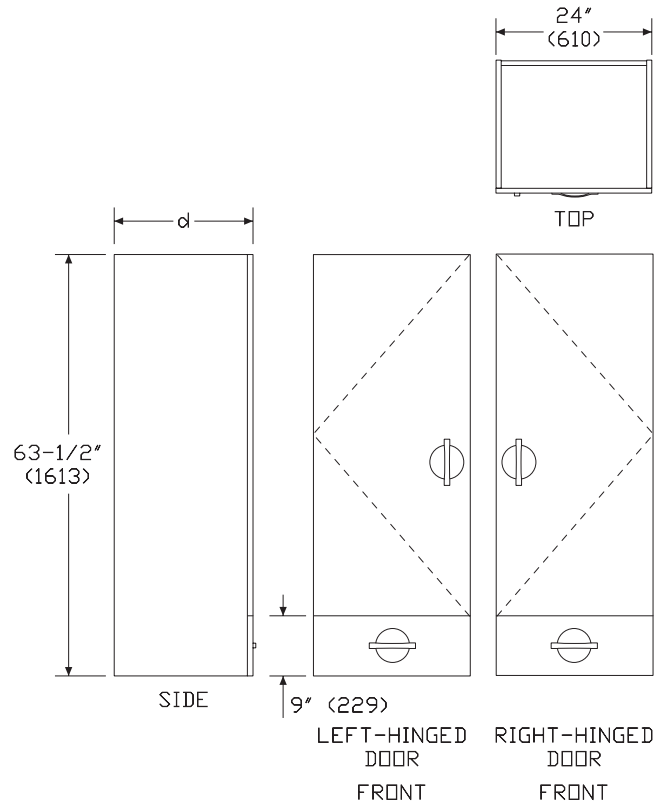
Description

This non-locking cabinet attaches to 2 64"-high rail-attached stiles to provide storage for patient clothing and personal items. It has an upper interior shelf and a rod for hangers, and is available with a lower drawer. Top of cabinet requires a sloped cabinet top close-out, specified separately. The outside of the cabinet and the door/drawer fronts have 3D laminate surfaces. Durawrap™ 3D laminate is a 99.9% PVC-free material.

Notes

- Drawer option (D) has full-extension ball-bearing slides.
- No drawer option (N) has a full-height door with an additional lower shelf.
- For bow pull option (C), pull finish is matte stainless. For arc pull option (D), pull finish is brushed nickel.
- Specify close-out, sloped cabinet top (TW406.) separately.
- Drawer liner will be installed if selected on unit.

Dimensions



Compass™ Storage

Specification Information

Step 1.

TW300.

Step 2. Depth

- 13** 13" deep
- 21** 21" deep

Step 3. Drawer Option

- D** drawer with fixed upper interior shelf and rod
- N** no drawer with fixed upper and lower interior shelf and rod

Step 4. Door Hinge Location

- L** left-hinged door
- R** right-hinged door

Step 5. Pull Type

- B** flex pull
- C** bow pull
- D** arc pull
- N** no pull

Step 6. Surface Material

- A** durawrap™ 3D laminate
- P** 3D laminate A

Prices for Steps 1-6.

	LBA	LBP	LCA	LCP	LDA	LDP
TW300.13 D	\$1804	1647	1789	1632	1789	1632
N	\$1616	1476	1609	1469	1609	1469
21 D	\$2089	1906	2074	1892	2074	1892
N	\$1789	1632	1781	1625	1781	1625
	LNA	LNP	RBA	RBP	RCA	RCP
TW300.13 D	\$1772	1618	1804	1647	1789	1632
N	\$1600	1461	1616	1476	1609	1469
21 D	\$2058	1877	2089	1906	2074	1892
N	\$1772	1618	1789	1632	1781	1625
	RDA	RDP	RNA	RNP		
TW300.13 D	\$1789	1632	1772	1618		
N	\$1609	1469	1600	1461		
21 D	\$2074	1892	2058	1877		
N	\$1781	1625	1772	1618		

Step 7. Top/Side Finish

Solid-Color

For durawrap™ 3D laminate (A)

- 91** white +\$0
- LU** soft white +\$0

Wood-Grain

For durawrap™ 3D laminate (A)

- 76** light brown walnut +\$25
- HX** aged cherry +\$25
- HM** natural maple +\$25
- PX** Nemschoff light cherry +\$25
- OG** honey maple +\$25

For 3D laminate (P)

- 120** light maple woodgrain 3D laminate A +\$0
- 121** golden maple woodgrain 3D laminate A +\$0
- 122** brown walnut woodgrain 3D laminate A +\$0
- 123** chocolate walnut woodgrain 3D laminate A +\$0
- 124** warm cherry woodgrain 3D laminate A +\$0
- 125** light teak woodgrain 3D laminate A +\$25
- 126** basic white 3D laminate A +\$0

Step 8. Front Finish

Solid-Color

For durawrap™ 3D laminate (A)

- 91** white +\$0
- LU** soft white +\$0

Wood-Grain

For durawrap™ 3D laminate (A)

- 76** light brown walnut +\$25
- HX** aged cherry +\$25
- HM** natural maple +\$25
- PX** Nemschoff light cherry +\$25
- OG** honey maple +\$25

For 3D laminate (P)

- 120** light maple woodgrain 3D laminate A +\$0
- 121** golden maple woodgrain 3D laminate A +\$0
- 122** brown walnut woodgrain 3D laminate A +\$0
- 123** chocolate walnut woodgrain 3D laminate A +\$0
- 124** warm cherry woodgrain 3D laminate A +\$0
- 125** light teak woodgrain 3D laminate A +\$25
- 126** basic white 3D laminate A +\$0

Wardrobe Cabinet *continued*

Step 9. Pull Finish

For flex pull (B)

63	fog	+\$0
5B	java	+\$0

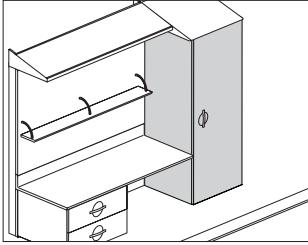
Step 10. Drawer Liner

For drawer with fixed upper interior shelf and rod (D)

NDL	no drawer liner	+\$0
DRL	drawer liner	+\$65

Full Height Storage Cabinet

TW302.



Compass™ Storage

Product Information

Description

This storage cabinet attaches to 2 64"-high rail-attached stiles to provide storage for supplies. It comes with 4 adjustable shelves or 2 adjustable shelves and a Co/Struc® adapter that mounts inside the cabinet. The adapter has 9 slots at 3" intervals to support Co/Struc storage components and accessories. The adapter allows the interior flexibility of Co/Struc storage products with the aesthetic of Compass™. If top of cabinet requires a sloped cabinet top close-out, specify separately. The outside of the cabinet and the door front have 3D laminate surfaces. Durawrap™ 3D laminate is a 99.9% PVC-free material.

Notes

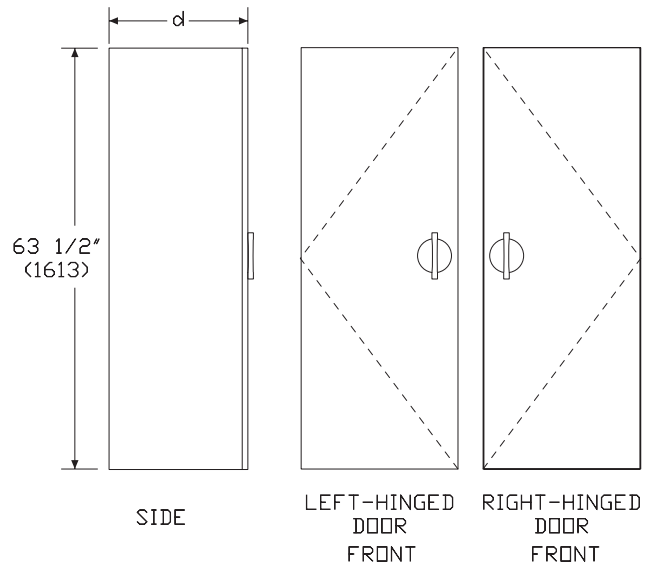
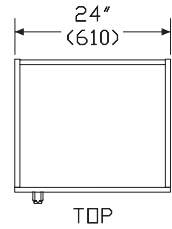
For Co/Struc adapter option (C), order storage components separately:

- A-, B-, or C-size drawer (CO207, CO208, or CO209)
- C tray/shelf (CO203)
- C wire shelf (CO252)

For bow pull option (C), pull finish is matte stainless. For arc pull option (D), pull finish is brushed nickel.

Specify close-out, sloped cabinet top (TW406.) separately.

Dimensions



Full Height Storage Cabinet *continued*

Specification Information

Step 1.

TW302.

Step 2. Depth

13 13" deep

21 21" deep

Step 3. Storage Options

For 13" deep (13)

A 4 adjustable shelves

For 21" deep (21)

A 4 adjustable shelves

C 2 adjustable shelves, Co/Struc adaptor included

Step 4. Door Hinge Location

L left-hinged door

R right-hinged door

Step 5. Pull Type

B flex pull

C bow pull

D arc pull

N no pull

Step 6. Storage Locks

L keyless lock

N no lock

Step 7. Surface Material

A durawrap™ 3D laminate

P 3D laminate

Prices for Steps 1-7.

	LBLA	LBLP	LBNA	LBNP	LCLA	LCLP
TW302. 13 A	\$2502	2323	2238	2061	2478	2301
21 A	\$3029	2835	2766	2571	2999	2807
C	\$3163	2967	2898	2703	3131	2938
	LCNA	LCNP	LDLA	LDLP	LDNA	LDNP
TW302. 13 A	\$2216	2041	2478	2301	2216	2041
21 A	\$2740	2547	2999	2807	2740	2547
C	\$2870	2677	3131	2938	2870	2677

	LNLA	LNLP	LNNA	LNNP	RBLA	RBLP
TW302. 13 A	\$2379	2207	2115	1946	2502	2323
21 A	\$2904	2707	2641	2448	3029	2835
C	\$3036	2841	2773	2579	3163	2967

	RBNA	RBNP	RCLA	RCLP	RCNA	RCNP
TW302. 13 A	\$2238	2061	2478	2301	2216	2041
21 A	\$2766	2571	2999	2807	2740	2547
C	\$2898	2703	3131	2938	2870	2677

	RDLA	RDLP	RDNA	RDNP	RNLA	RNLP
TW302. 13 A	\$2478	2301	2216	2041	2379	2207
21 A	\$2999	2807	2740	2547	2904	2707
C	\$3131	2938	2870	2677	3036	2841

	RNNA	RNNP
TW302. 13 A	\$2115	1946
21 A	\$2641	2448
C	\$2773	2579

Step 8. Top/Side Finish

Solid-Color

For durawrap™ 3D laminate (A)

91 white +\$0

LU soft white +\$0

Wood-Grain

For durawrap™ 3D laminate (A)

76 light brown walnut +\$25

HX aged cherry +\$25

HM natural maple +\$25

PX Nemschoff light cherry +\$25

OG honey maple +\$25

For 3D laminate (P)

120 light maple woodgrain 3D laminate +\$0

121 golden maple woodgrain 3D laminate +\$0

122 brown walnut woodgrain 3D laminate +\$0

123 chocolate walnut woodgrain 3D laminate +\$0

124 warm cherry woodgrain 3D laminate +\$0

125 light teak woodgrain 3D laminate +\$25

126 basic white 3D laminate +\$0

Full Height Storage Cabinet *continued*

Compass™ Storage

Step 9. Front Finish

Solid-Color

For durawrap™ 3D laminate (A)

91	white	+\$0
LU	soft white	+\$0

Wood-Grain

For durawrap™ 3D laminate (A)

76	light brown walnut	+\$25
HX	aged cherry	+\$25
HM	natural maple	+\$25
PX	Nemschoff light cherry	+\$25
OG	honey maple	+\$25

For 3D laminate (P)

120	light maple woodgrain 3D laminate	+\$0
121	golden maple woodgrain 3D laminate	+\$0
122	brown walnut woodgrain 3D laminate	+\$0
123	chocolate walnut woodgrain 3D laminate	+\$0
124	warm cherry woodgrain 3D laminate	+\$0
125	light teak woodgrain 3D laminate	+\$25
126	basic white 3D laminate	+\$0

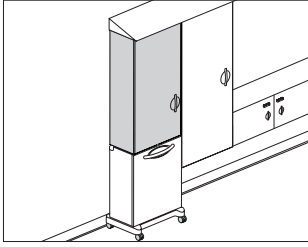
Step 10. Pull Finish

For flex pull (B)

5B	java	+\$0
63	fog	+\$0

Half-Height Storage Cabinet

TW305.



Product Information

Description

This half-height storage cabinet attaches to 2 64"-high rail-attached stiles to provide storage for supplies. It has 3 adjustable shelves. It is 45 1/2" high to allow for a refrigerator, equipment, or linen cart to stow below. If top of cabinet requires a sloped cabinet top close-out, specify separately. The outside of the cabinet and the door front have 3D laminate surfaces. Durawrap™ 3D laminate is a 99.9% PVC-free material.

Notes

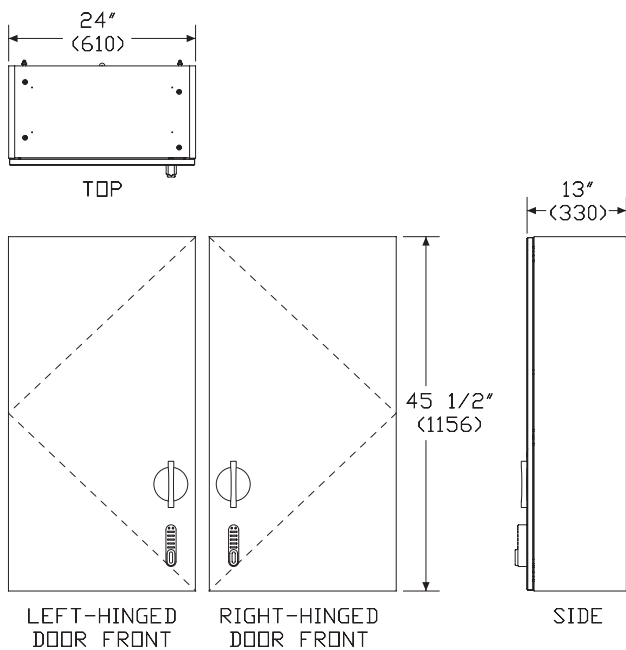
For bow pull option (C), pull finish is matte stainless. For arc pull option (D), pull finish is brushed nickel.

Specify close-out, sloped cabinet top (TW406.) separately.

If using a linen cart (TW501.) with this cabinet, specify linen cart tile with backsplash (TW130.BW) separately. Bottom of cabinet has hole template to facilitate installation of linen cart guides included with linen cart tile.

When no linen cart will be used, specify 24" work surface tile with backsplash (TW124.24BW) separately.

Dimensions



Specification Information

Step 1.

TW305.

Step 2. Depth

13 13" deep

Step 3. Storage Options

H 3 adjustable shelves

Step 4. Door Hinge Location

L left-hinged door

R right-hinged door

Step 5. Pull Type

B flex pull

C bow pull

D arc pull

N no pull

Step 6. Storage Locks

L keyless lock

N no lock

Step 7. Surface Material

A durawrap™ 3D laminate

P 3D laminate

Prices for Steps 1-7.

	LBLA	BLBP	LBNA	LBNP	LCLA	LCLP
TW305.13 H	\$2100	1926	1834	1661	2080	1906
	LCNA	LCNP	LDLA	LDLP	LDNA	LDNP
TW305.13 H	\$1816	1645	2080	1906	1816	1645
	LNLA	LNLP	LNNA	LNNP	RBLA	RBLP
TW305.13 H	\$1981	1810	1722	1548	2100	1926
	RBNA	RBNP	RCLA	RCLP	RCNA	RCNP
TW305.13 H	\$1834	1661	2080	1906	1816	1645
	RDLA	RDLP	RDNA	RDNP	RNLA	RNLP
TW305.13 H	\$2080	1906	1816	1645	1981	1810
					RNNA	RNNP
TW305.13 H					\$1722	1548

Half-Height Storage Cabinet

continued

Compass™ Storage

Step 8. Top/Side Finish

Solid-Color		
<i>For durawrap™ 3D laminate (A)</i>		
91	white	+\$0
LU	soft white	+\$0

Wood-Grain		
<i>For durawrap™ 3D laminate (A)</i>		
76	light brown walnut	+\$25
HX	aged cherry	+\$25
HM	natural maple	+\$25
PX	Nemschoff light cherry	+\$25
OG	honey maple	+\$25

<i>For 3D laminate (P)</i>		
120	light maple woodgrain 3D laminate	+\$0
121	golden maple woodgrain 3D laminate	+\$0
122	brown walnut woodgrain 3D laminate	+\$0
123	chocolate walnut woodgrain 3D laminate	+\$0
124	warm cherry woodgrain 3D laminate	+\$0
125	light teak woodgrain 3D laminate	+\$25
126	basic white 3D laminate	+\$0

Step 9. Front Finish

Solid-Color		
<i>For durawrap™ 3D laminate (A)</i>		
91	white	+\$0
LU	soft white	+\$0

Wood-Grain		
<i>For durawrap™ 3D laminate (A)</i>		
76	light brown walnut	+\$25
HX	aged cherry	+\$25
HM	natural maple	+\$25
PX	Nemschoff light cherry	+\$25
OG	honey maple	+\$25

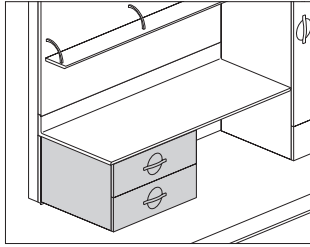
<i>For 3D laminate (P)</i>		
120	light maple woodgrain 3D laminate	+\$0
121	golden maple woodgrain 3D laminate	+\$0
122	brown walnut woodgrain 3D laminate	+\$0
123	chocolate walnut woodgrain 3D laminate	+\$0
124	warm cherry woodgrain 3D laminate	+\$0
125	light teak woodgrain 3D laminate	+\$25
126	basic white 3D laminate	+\$0

Step 10. Pull Finish

<i>For flex pull (B)</i>		
5B	java	+\$0
63	fog	+\$0

Drawer Module

TW310.



Product Information

Description

This module attaches to 2 rail-attached stiles to provide storage below a work surface and has drawers with full-extension ball-bearing slides. The outside of the module and the drawer fronts have 3D laminate surfaces. Durawrap™ 3D laminate is a 99.9% PVC-free material.

Notes

For bow pull option (C), pull finish is matte stainless. For arc pull option (D), pull finish is brushed nickel.

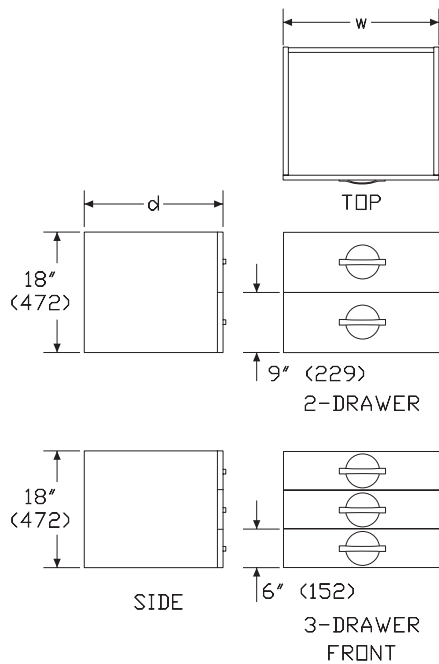
Lock option (L) locks the top drawer only.

Specify work surface (TW210.) separately.

It is recommended to order a work surface with a backsplash. If ordering a work surface without a backsplash, a special-height mini-tile would need to be ordered.

Drawer liner will be installed if selected on unit.

Dimensions



Specification Information

Step 1.

TW310.

Step 2. Depth

13 13" deep
21 21" deep

Step 3. Width

18 18" wide
24 24" wide

Step 4. Configuration

2 9"-high drawers
3 6"-high drawers

Step 5. Pull Type

B flex pull
C bow pull
D arc pull
N no pull

Step 6. Lock

L lock
N no lock

Step 7. Surface Material

A durawrap™ 3D laminate
P 3D laminate A

Prices for Steps 1-7.

		2BLA	2BLP	2BNA	2BNP	2CLA	2CLP
TW310.13	18	\$1361	1240	1003	913	1346	1224
	24	\$1412	1290	1055	964	1397	1275
	21 18	\$1601	1457	1243	1130	1586	1442
	24	\$1653	1508	1293	1181	1637	1492
		2CNA	2CNP	2DLA	2DLP	2DNA	2DNP
TW310.13	18	\$987	897	1346	1224	987	897
	24	\$1039	948	1397	1275	1039	948
	21 18	\$1226	1115	1586	1442	1226	1115
	24	\$1277	1166	1637	1492	1277	1166
		2NLA	2NLP	2NNA	2NNP	3BLA	3BLP
TW310.13	18	\$1330	1209	971	881	1482	1348
	24	\$1381	1261	1022	933	1534	1399

	21 18	\$1568	1427	1210	1099	1722	1566
	24	\$1620	1478	1262	1150	1772	1618
		3BNA	3BNP	3CLA	3CLP	3CNA	3CNP
TW310.13	18	\$1124	1021	1457	1326	1098	998
	24	\$1175	1072	1508	1377	1149	1050
	21 18	\$1361	1240	1696	1543	1337	1216
	24	\$1412	1290	1748	1594	1388	1267
		3DLA	3DLP	3DNA	3DNP	3NLA	3NLP
TW310.13	18	\$1457	1326	1098	998	1432	1302
	24	\$1508	1377	1149	1050	1483	1353
	21 18	\$1696	1543	1337	1216	1671	1522
	24	\$1748	1594	1388	1267	1723	1572
				3NNA	3NNP		
TW310.13	18			\$1073	975		
	24			\$1125	1026		
	21 18			\$1313	1193		
	24			\$1364	1245		

Step 8. Top/Side Finish

Solid-Color

For durawrap™ 3D laminate (A)

91	white	+\$0
LU	soft white	+\$0

Wood-Grain

For durawrap™ 3D laminate (A)

76	light brown walnut	+\$10
HX	aged cherry	+\$10
HM	natural maple	+\$10
PX	Nemschoff light cherry	+\$10
OG	honey maple	+\$10

For 3D laminate (P)

120	light maple woodgrain 3D laminate A	+\$0
121	golden maple woodgrain 3D laminate A	+\$0
122	brown walnut woodgrain 3D laminate A	+\$0
123	chocolate walnut woodgrain 3D laminate A	+\$0
124	warm cherry woodgrain 3D laminate A	+\$0
125	light teak woodgrain 3D laminate A	+\$10
126	basic white 3D laminate A	+\$0

Step 9. Front Finish

Solid-Color

For durawrap™ 3D laminate (A)

91	white	+\$0
LU	soft white	+\$0

Wood-Grain

For durawrap™ 3D laminate (A)

76	light brown walnut	+\$10
HX	aged cherry	+\$10
HM	natural maple	+\$10
PX	Nemschoff light cherry	+\$10
OG	honey maple	+\$10

For 3D laminate (P)

120	light maple woodgrain 3D laminate A	+\$0
121	golden maple woodgrain 3D laminate A	+\$0
122	brown walnut woodgrain 3D laminate A	+\$0
123	chocolate walnut woodgrain 3D laminate A	+\$0
124	warm cherry woodgrain 3D laminate A	+\$0
125	light teak woodgrain 3D laminate A	+\$10
126	basic white 3D laminate A	+\$0

Step 10. Pull Finish

For flex pull (B)

63	fog	+\$0
5B	java	+\$0

Step 11. Drawer Liner

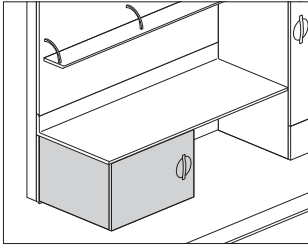
For 18" wide (18)

NDL	no drawer liner	+\$0
------------	-----------------	------

For 24" wide (24)

		2	3
NDL	no drawer liner	+\$0	0
DRL	drawer liner	+\$130	225

Lower Storage Cabinet with Doors TW312.



Product Information

Description

This storage cabinet comes in 3 widths and 13" & 21" depths and includes a wall saver. A fixed shelf is located 4" from the bottom of the interior cabinet. Interior cabinet color is white.

Notes

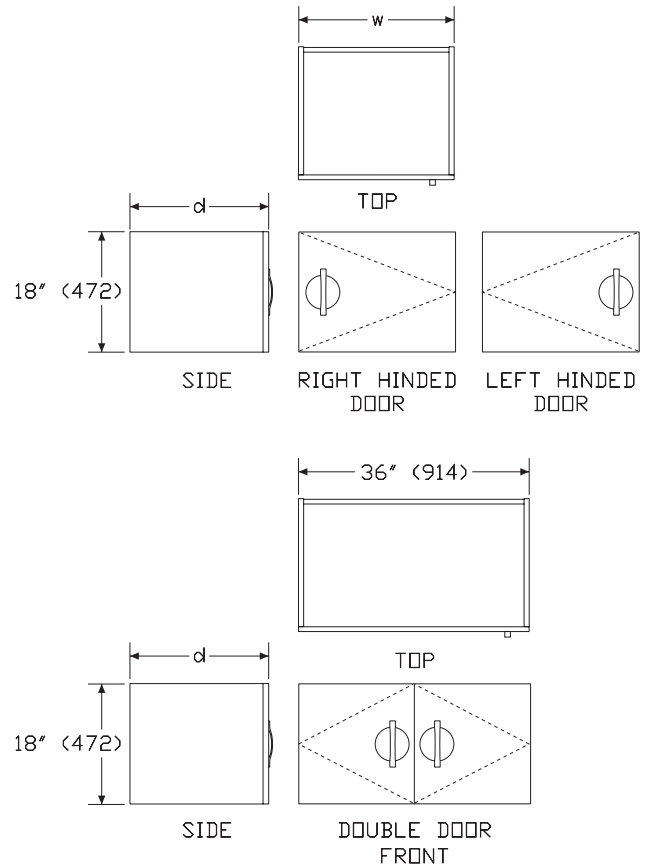
Specify work surface (TW210./TW211.) separately to close off the top. For power access (P), specify utility support rail (TW170.) and 2 single-gang electrical junction box attachment brackets with or without J-box (TW172.) separately.

It is recommended to order a work surface with a backsplash. If ordering a work surface without a backsplash, a special-height mini-tile would need to be ordered.

For lock option (L), one door has a keyless lock and the other door has a keyed lock.

For the flex pull (B), bow pull (C), and arc pull (D), the doors contain a pocket behind the handle. The no pull (N) door contains no pocket.

Dimensions



Compass™ Storage

Lower Storage Cabinet with Doors

continued

Compass™ Storage

Specification Information

Step 1.

TW312.

Step 2. Depth

13 13" deep

21 21" deep

Step 3. Width

18 18" wide

24 24" wide

36 36" wide

Step 4. Door

For 18" wide (18) or 24" wide (24)

L left-hinged door

R right-hinged door

For 36" wide (36)

D double doors

Step 5. Pull Type

N no pull

B flex pull

C bow pull

D arc pull

Step 6. Lock

N no lock

L lock

Step 7. Surface Material

A durawrap™ 3D laminate

P 3D laminate A

Prices for Steps 1-7.

	DNNA	DNNP	DNLA	DNLP	DBNA	DBNP
TW312.13 36	\$1053	961	1388	1266	1099	1002
21 36	\$1276	1165	1612	1471	1324	1207
	DBLA	DBLP	DCNA	DCNP	DCLA	DCLP
TW312.13 36	\$1435	1308	1076	981	1411	1287
21 36	\$1660	1513	1300	1185	1636	1491

	DDNA	DDNP	DDLA	DDLP	LNNA	LNNP
TW312.13 18	—	—	—	—	\$905	821
24	—	—	—	—	\$956	872
36	\$1288	1175	1579	1440	—	—
21 18	—	—	—	—	\$1130	1025
24	—	—	—	—	\$1181	1076
36	\$1454	1326	1748	1594	—	—

	LNLA	LNLP	LBNA	LBNP	LBLA	LBLP
TW312.13 18	\$1242	1128	936	850	1272	1156
24	\$1292	1179	987	901	1324	1207
21 18	\$1465	1332	1160	1054	1495	1359
24	\$1517	1383	1211	1105	1547	1410

	LCNA	LCNP	LCLA	LCLP	LDNA	LDNP
TW312.13 18	\$922	836	1257	1142	922	836
24	\$973	886	1308	1193	973	886
21 18	\$1145	1040	1481	1040	1145	1040
24	\$1196	1090	1533	1397	1196	1090

	LDLA	LDLP	RNNA	RNNP	RNLA	RNLP
TW312.13 18	\$1257	1142	905	821	1242	1128
24	\$1308	1193	956	872	1292	1179
21 18	\$1481	1346	1130	1025	1465	1332
24	\$1533	1397	1181	1076	1517	1383

	RBNA	RBNP	RBLA	RBLP	RCNA	RCNP
TW312.13 18	\$936	850	1272	1156	922	836
24	\$987	901	1324	1207	973	886
21 18	\$1160	1054	1495	1359	1145	1040
24	\$1211	1105	1547	1410	1196	1090

	RCLA	RCLP	RDNA	RDNP	RDLA	RCLP
TW312.13 18	\$1257	1142	922	836	1257	1142
24	\$1308	1193	973	886	1308	1193
21 18	\$1481	1040	1145	1040	1481	1346
24	\$1533	1397	1196	1090	1533	1397

Step 8. Power Access

N	no power access	+\$0
P	power access	+\$30

Lower Storage Cabinet with Doors

continued

Step 9. Top/Side Finish

Solid-Color

For durawrap™ 3D laminate (A)

91	white	+\$0
LU	soft white	+\$0

Wood-Grain

For durawrap™ 3D laminate (A)

76	light brown walnut	+\$25
HM	natural maple	+\$25
HX	aged cherry	+\$25
OG	honey maple	+\$25
PX	Nemschoff light cherry	+\$25

For 3D laminate (P)

120	light maple woodgrain 3D laminate <input type="checkbox"/>	+\$0
121	golden maple woodgrain 3D laminate <input type="checkbox"/>	+\$0
122	brown walnut woodgrain 3D laminate <input type="checkbox"/>	+\$0
123	chocolate walnut woodgrain 3D laminate <input type="checkbox"/>	+\$0
124	warm cherry woodgrain 3D laminate <input type="checkbox"/>	+\$0
125	light teak woodgrain 3D laminate <input type="checkbox"/>	+\$25
126	basic white 3D laminate <input type="checkbox"/>	+\$0

Step 10. Door Finish

Solid-Color

For durawrap™ 3D laminate (A)

91	white	+\$0
LU	soft white	+\$0

Wood-Grain

For durawrap™ 3D laminate (A)

76	light brown walnut	+\$25
HM	natural maple	+\$25
HX	aged cherry	+\$25
OG	honey maple	+\$25
PX	Nemschoff light cherry	+\$25

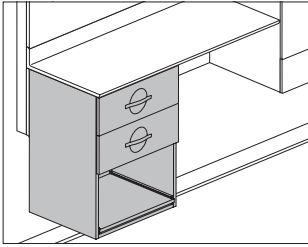
For 3D laminate (P)

120	light maple woodgrain 3D laminate <input type="checkbox"/>	+\$0
121	golden maple woodgrain 3D laminate <input type="checkbox"/>	+\$0
122	brown walnut woodgrain 3D laminate <input type="checkbox"/>	+\$0
123	chocolate walnut woodgrain 3D laminate <input type="checkbox"/>	+\$0
124	warm cherry woodgrain 3D laminate <input type="checkbox"/>	+\$0
125	light teak woodgrain 3D laminate <input type="checkbox"/>	+\$25
126	basic white 3D laminate <input type="checkbox"/>	+\$0

Step 11. Pull Finish

For flex pull (B)

63	fog	+\$0
5B	java	+\$0



Compass™ Storage

Product Information

Description

This 24"-wide nonpowered storage module attaches to 2 rail-attached stiles to provide storage below a work surface. It has drawers with full-extension ball-bearing slides. Below the drawers is an open cabinet with a fixed-height slide-out shelf to support a printer. Back panel has an 8" x 10" sealed opening for ease of wiring. Cabinet interior has a white melamine surface. The outside of the cabinet has a 3D laminate surface. Durawrap™ 3D laminate is a 99.9% PVC-free material. Includes a wall saver to protect the architectural wall behind the module.

Notes

For bow pull option (C), pull finish is matte stainless. For arc pull option (D), pull finish is brushed nickel.

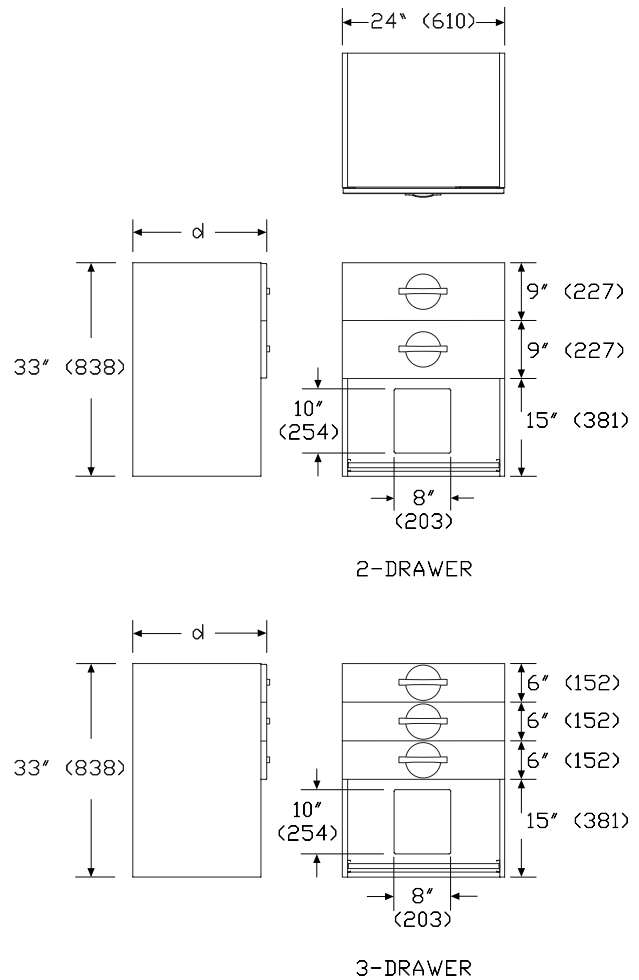
Lock option (L) locks the top drawer only.

Specify work surface (TW210.) separately.

It is recommended to order a work surface with a backsplash. If ordering a work surface without a backsplash, a special-height mini-tile would need to be ordered.

Drawer liner will be installed if selected on unit.

Dimensions



Specification Information

Step 1.

TW314.

Step 2. Depth

- 13** 13" deep
- 21** 21" deep

Step 3. Configuration

- 2** 9"-high drawers
- 3** 6"-high drawers

Step 4. Pull Type

- B** flex pull
- C** bow pull
- D** arc pull
- N** no pull

Step 5. Lock

- L** lock
- N** no lock

Step 6. Surface Material

- A** durawrap™ 3D laminate
- P** 3D laminate A

Prices for Steps 1-6.

	BLA	BLP	BNA	BNP	CLA	CLP
TW314. 13 2	\$1838	1676	1560	1423	1882	1716
3	\$1995	1818	1719	1566	2064	1881
21 2	\$2243	2045	1965	1793	2288	2086
3	\$2378	2169	2101	1916	2446	2231
	CNA	CNP	DLA	DLP	DNA	DNP
TW314. 13 2	\$1606	1464	1838	1676	1560	1423
3	\$1787	1629	1995	1818	1719	1566
21 2	\$2011	1835	2243	2045	1965	1793
3	\$2169	1977	2378	2169	2101	1916
	NLA	NLP	NNA	NNP		
TW314. 13 2		\$1769	1613	1491	1360	
3		\$1903	1737	1628	1484	
21 2		\$2174	1982	1897	1731	
3		\$2286	2085	2010	1834	

Step 7. Top/Side Finish

Solid-Color

For durawrap™ 3D laminate (A)

- 91** white +\$0
- LU** soft white +\$0

Wood-Grain

For durawrap™ 3D laminate (A)

- 76** light brown walnut +\$10
- HM** natural maple +\$10
- HX** aged cherry +\$10
- OG** honey maple +\$10
- PX** Nemschoff light cherry +\$10

For 3D laminate (P)

- 120** light maple woodgrain 3D laminate A +\$0
- 121** golden maple woodgrain 3D laminate A +\$0
- 122** brown walnut woodgrain 3D laminate A +\$0
- 123** chocolate walnut woodgrain 3D laminate A +\$0
- 124** warm cherry woodgrain 3D laminate A +\$0
- 125** light teak woodgrain 3D laminate A +\$10
- 126** basic white 3D laminate A +\$0

Step 8. Front Finish

Solid-Color

For durawrap™ 3D laminate (A)

- 91** white +\$0
- LU** soft white +\$0

Wood-Grain

For durawrap™ 3D laminate (A)

- 76** light brown walnut +\$10
- HM** natural maple +\$10
- HX** aged cherry +\$10
- OG** honey maple +\$10
- PX** Nemschoff light cherry +\$10

For 3D laminate (P)

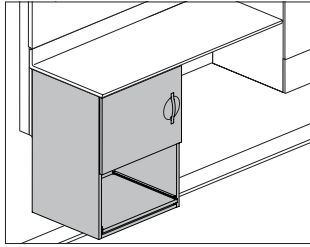
- 120** light maple woodgrain 3D laminate A +\$0
- 121** golden maple woodgrain 3D laminate A +\$0
- 122** brown walnut woodgrain 3D laminate A +\$0
- 123** chocolate walnut woodgrain 3D laminate A +\$0
- 124** warm cherry woodgrain 3D laminate A +\$0
- 125** light teak woodgrain 3D laminate A +\$10
- 126** basic white 3D laminate A +\$0

Drawer and Printer Module *continued*

Step 9. Pull Finish		
<i>For flex pull (B)</i>		
63	fog	+\$0
5B	java	+\$0

Step 10. Drawer Liner			
		2	3
NDL	no drawer liner	+\$0	0
DRL	drawer liner	+\$130	225

Compass™ Storage



Product Information

Description

This 24"-wide nonpowered module attaches to 2 rail-attached stiles to provide storage below a work surface. Below the storage cabinet is an open cabinet with a fixed-height slide-out shelf to support a printer. Back panel has an 8" x 10" sealed opening for ease of wiring. Cabinet interior has a white melamine surface. The outside of the cabinet has a 3D laminate surface. Durawrap™ 3D laminate is a 99.9% PVC-free material. Includes a wall saver to protect the architectural wall behind the module.

Notes

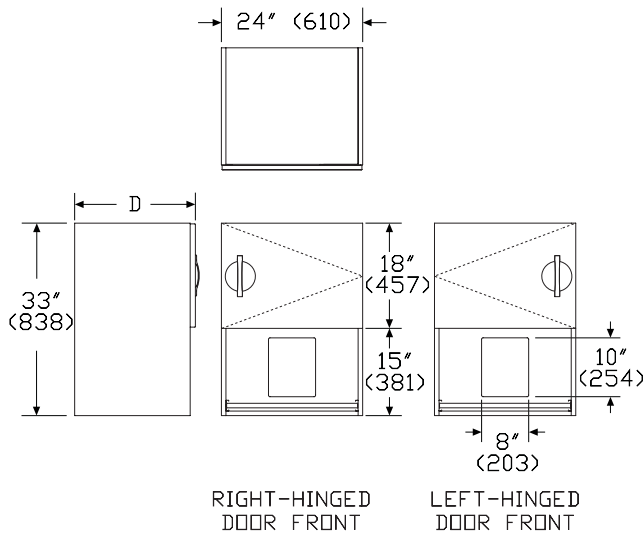
For bow pull option (C), pull finish is matte stainless. For arc pull option (D), pull finish is brushed nickel.

Specify work surface (TW210.) separately.

It is recommended to order a work surface with a backsplash. If ordering a work surface without a backsplash, a special-height mini-tile would need to be ordered.

For flex pull (B), bow pull (C), and arc pull (D) options, the doors contain a pocket behind the handle. The no pull (N) door contains no pocket.

Dimensions



Specification Information

Step 1.

TW315.

Step 2. Depth

- 13** 13" deep
- 21** 21" deep

Step 3. Door

- L** left-hinged door
- R** right-hinged door

Step 4. Pull Type

- B** flex pull
- C** bow pull
- D** arc pull
- N** no pull

Step 5. Lock

- L** lock
- N** no lock

Step 6. Surface Material

- A** durawrap™ 3D laminate
- P** 3D laminate **A**

Prices for Steps 1-6.

	BLA	BLP	BNA	BNP	CLA	CLP
TW315.13 L	\$1547	1410	1302	1187	1569	1432
R	\$1547	1410	1302	1187	1569	1432
21 L	\$1882	1716	1645	1499	1904	1738
R	\$1882	1716	1645	1499	1904	1738
	CNA	CNP	DLA	DLP	DNA	DNP
TW315.13 L	\$1325	1208	1547	1410	1302	1187
R	\$1325	1208	1547	1410	1302	1187
21 L	\$1667	1521	1882	1716	1645	1499
R	\$1667	1521	1882	1716	1645	1499
	NLA	NLP	NNA	NNP		
TW315.13 L		\$1513	1380	1268	1156	
R		\$1513	1380	1268	1156	
21 L		\$1849	1685	1610	1469	
R		\$1849	1685	1610	1469	

Storage and Printer Module

continued

Compass™ Storage

Step 7. Top/Side Finish

Solid-Color		
<i>For durawrap™ 3D laminate (A)</i>		
91	white	+\$0
LU	soft white	+\$0

Wood-Grain		
<i>For durawrap™ 3D laminate (A)</i>		
76	light brown walnut	+\$10
HM	natural maple	+\$10
HX	aged cherry	+\$10
OG	honey maple	+\$10
PX	Nemschoff light cherry	+\$10

<i>For 3D laminate (P)</i>		
120	light maple woodgrain 3D laminate A	+\$0
121	golden maple woodgrain 3D laminate A	+\$0
122	brown walnut woodgrain 3D laminate A	+\$0
123	chocolate walnut woodgrain 3D laminate A	+\$0
124	warm cherry woodgrain 3D laminate A	+\$0
125	light teak woodgrain 3D laminate A	+\$10
126	basic white 3D laminate A	+\$0

Step 8. Door Finish

Solid-Color Laminate		
<i>For durawrap™ 3D laminate (A)</i>		
91	white	+\$0
LU	soft white	+\$0

Wood-Grain Laminate		
<i>For durawrap™ 3D laminate (A)</i>		
76	light brown walnut	+\$10
HM	natural maple	+\$10
HX	aged cherry	+\$10
OG	honey maple	+\$10
PX	Nemschoff light cherry	+\$10

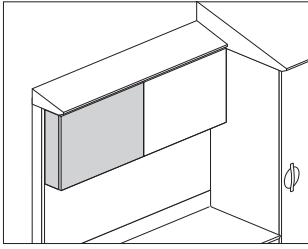
<i>For 3D laminate (P)</i>		
120	light maple woodgrain 3D laminate	+\$0
121	golden maple woodgrain 3D laminate	+\$0
122	brown walnut woodgrain 3D laminate	+\$0
123	chocolate walnut woodgrain 3D laminate	+\$0
124	warm cherry woodgrain 3D laminate	+\$0
125	light teak woodgrain 3D laminate	+\$10
126	basic white 3D laminate	+\$0

Step 9. Pull Finish

<i>For flex pull (B)</i>		
63	fog	+\$0
5B	java	+\$0

Storage Cabinet

TW320.



Product Information

Description

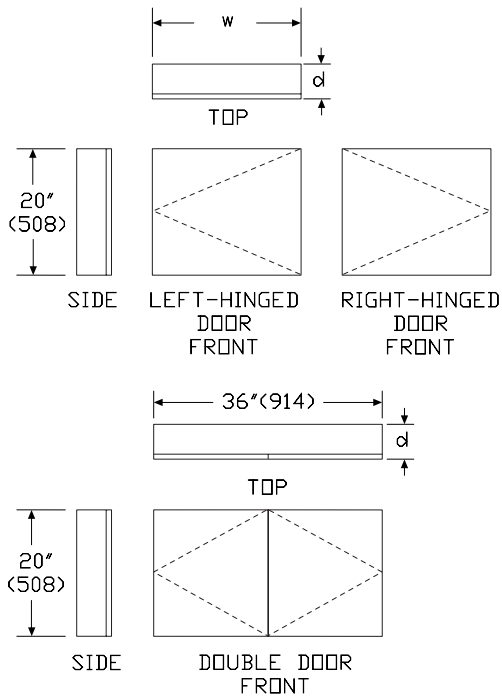
This non-locking cabinet attaches to 2 rail-attached stiles in the upper tile position to provide small and medium item storage. Hinged door(s) have a magnetic closure. Cabinet interior has white melamine surface. The outside of the cabinet has a 3D laminate surface. Durawrap™ 3D laminate is a 99.9% PVC-free material.

Notes

For 13" deep upper storage cabinet (13), order 21" deep lower storage products.

For 6" deep (06) or 9" deep upper storage cabinet (09), order 13" deep or 21" deep lower storage products.

Dimensions



Specification Information

Step 1.

TW320.

Step 2. Depth

- 06** 6" deep
- 09** 9" deep
- 13** 13" deep

Step 3. Width

- 18** 18" wide
- 24** 24" wide
- 30** 30" wide
- 36** 36" wide

Step 4. Door Hinge Location

For 18" wide (18), 24" wide (24), or 30" wide (30)

- L** left-hinged door
- R** right-hinged door

For 36" wide (36)

- D** double doors

Step 5. Surface Material

- A** durawrap™ 3D laminate
- P** 3D laminate **A**

Prices for Steps 1-5.

	DA	DP	LA	LP	RA	RP
TW320.06 18	—	—	\$526	452	526	452
24	—	—	\$624	569	624	569
30	—	—	\$911	830	911	830
36	\$972	885	—	—	—	—
09 18	—	—	\$653	564	653	564
24	—	—	\$711	647	711	647
30	—	—	\$1026	935	1026	935
36	\$1052	957	—	—	—	—
13 18	—	—	\$775	675	775	675
24	—	—	\$841	766	841	766
30	—	—	\$1154	1052	1154	1052
36	\$1178	1073	—	—	—	—

Storage Cabinet *continued*

Step 6. Top/Side Finish

Solid-Color

For durawrap™ 3D laminate (A)

91	white	+\$0
LU	soft white	+\$0

Wood-Grain

For durawrap™ 3D laminate (A)

76	light brown walnut	+\$10
HX	aged cherry	+\$10
HM	natural maple	+\$10
PX	Nemschoff light cherry	+\$10
OG	honey maple	+\$10

For 3D laminate (P)

120	light maple woodgrain 3D laminate A	+\$0
121	golden maple woodgrain 3D laminate A	+\$0
122	brown walnut woodgrain 3D laminate A	+\$0
123	chocolate walnut woodgrain 3D laminate A	+\$0
124	warm cherry woodgrain 3D laminate A	+\$0
125	light teak woodgrain 3D laminate A	+\$10
126	basic white 3D laminate A	+\$0

Step 7. Door Finish

Solid-Color

For durawrap™ 3D laminate (A)

91	white	+\$0
LU	soft white	+\$0

Wood-Grain

For durawrap™ 3D laminate (A)

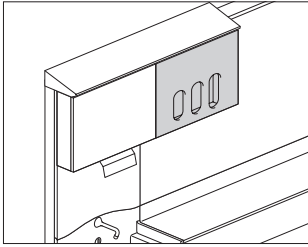
76	light brown walnut	+\$10
HX	aged cherry	+\$10
HM	natural maple	+\$10
PX	Nemschoff light cherry	+\$10
OG	honey maple	+\$10

For 3D laminate (P)

120	light maple woodgrain 3D laminate A	+\$0
121	golden maple woodgrain 3D laminate A	+\$0
122	brown walnut woodgrain 3D laminate A	+\$0
123	chocolate walnut woodgrain 3D laminate A	+\$0
124	warm cherry woodgrain 3D laminate A	+\$0
125	light teak woodgrain 3D laminate A	+\$10
126	basic white 3D laminate A	+\$0

Glove Cabinet

TW322.

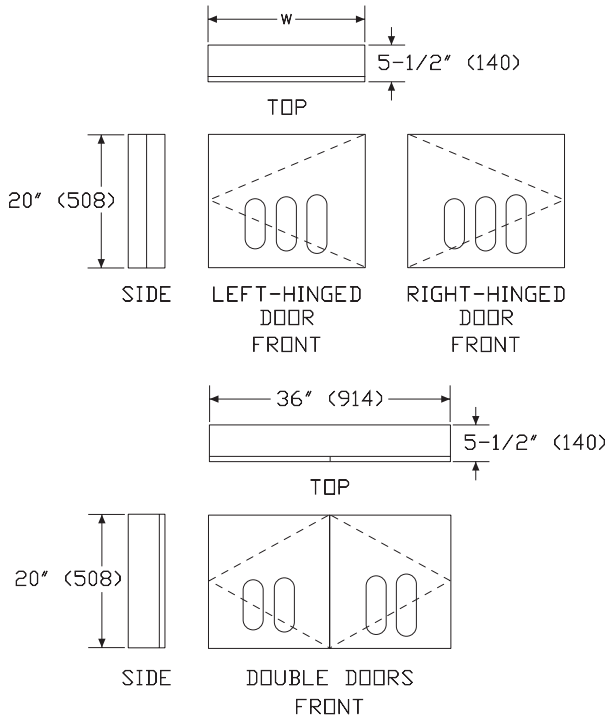


Product Information

Description

This non-locking cabinet attaches to 2 rail-attached stiles in the upper tile position and holds 3 boxes of gloves. The interior allows for additional storage. The outside of the cabinet and the door front have 3D laminate surfaces. Durawrap™ 3D laminate is a 99.9% PVC-free material.

Dimensions



Specification Information

Step 1.

TW322.06

Step 2. Width

- 24** 24" wide
- 30** 30" wide
- 36** 36" wide

Step 3. Door Hinge Location

For 24" wide (24) or 30" wide (30)

- L** left-hinged door
- R** right-hinged door

For 36" wide (36)

- D** double doors

Step 4. Surface Material

- A** durawrap™ 3D laminate
- P** 3D laminate

Prices for Steps 1-4.

		A	P
TW322.06	24 L	\$717	655
	R	\$717	655
	30 L	\$1037	946
	R	\$1037	946
	36 D	\$1092	997

Step 5. Top/Side Finish

Solid-Color

For durawrap™ 3D laminate (A)

- 91** white +\$0
- LU** soft white +\$0

Wood-Grain

For durawrap™ 3D laminate (A)

- 76** light brown walnut +\$10
- HX** aged cherry +\$10
- HM** natural maple +\$10
- PX** Nemschoff light cherry +\$10
- OG** honey maple +\$10

Glove Cabinet *continued*

Compass™ Storage

For 3D laminate (P)

120	light maple woodgrain 3D laminate <input type="checkbox"/>	+\$0
121	golden maple woodgrain 3D laminate <input type="checkbox"/>	+\$0
122	brown walnut woodgrain 3D laminate <input type="checkbox"/>	+\$0
123	chocolate walnut woodgrain 3D laminate <input type="checkbox"/>	+\$0
124	warm cherry woodgrain 3D laminate <input type="checkbox"/>	+\$0
125	light teak woodgrain 3D laminate <input type="checkbox"/>	+\$10
126	basic white 3D laminate <input type="checkbox"/>	+\$0

Step 6. Door Finish

Solid-Color

For durawrap™ 3D laminate (A)

91	white	+\$0
LU	soft white	+\$0

Wood-Grain

For durawrap™ 3D laminate (A)

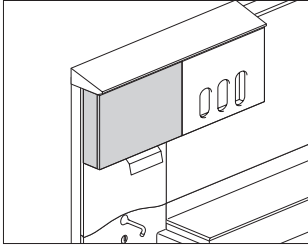
76	light brown walnut	+\$10
HX	aged cherry	+\$10
HM	natural maple	+\$10
PX	Nemschoff light cherry	+\$10
OG	honey maple	+\$10

For 3D laminate (P)

120	light maple woodgrain 3D laminate <input type="checkbox"/>	+\$0
121	golden maple woodgrain 3D laminate <input type="checkbox"/>	+\$0
122	brown walnut woodgrain 3D laminate <input type="checkbox"/>	+\$0
123	chocolate walnut woodgrain 3D laminate <input type="checkbox"/>	+\$0
124	warm cherry woodgrain 3D laminate <input type="checkbox"/>	+\$0
125	light teak woodgrain 3D laminate <input type="checkbox"/>	+\$10
126	basic white 3D laminate <input type="checkbox"/>	+\$0

Paper Towel Cabinet

TW324.

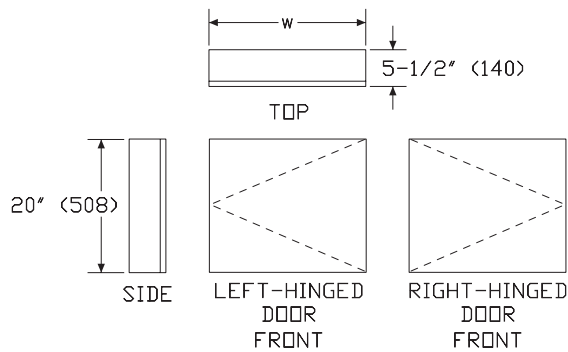


Product Information

Description

This non-locking cabinet attaches to 2 rail-attached stiles in the upper tile position to cover a field-supplied paper towel dispenser. The interior allows for storage of additional paper towels. The outside of the cabinet and the door front have 3D laminate surfaces. Durawrap™ 3D laminate is a 99.9% PVC-free material.

Dimensions



Specification Information

Step 1.

TW324.06

Step 2. Width

24 24" wide

Step 3. Door Hinge Location

L left-hinged door
R right-hinged door

Step 4. Surface Material

A durawrap™ 3D laminate
P 3D laminate

Prices for Steps 1-4.

	A	P
TW324.06 24 L	\$680	623
R	\$680	623

Step 5. Top/Side Finish

Solid-Color

For durawrap™ 3D laminate (A)

91 white	+\$0
LU soft white	+\$0

Wood-Grain

For durawrap™ 3D laminate (A)

76 light brown walnut	+\$10
HX aged cherry	+\$10
HM natural maple	+\$10
PX Nemschoff light cherry	+\$10
OG honey maple	+\$10

For 3D laminate (P)

120 light maple woodgrain 3D laminate <input type="checkbox"/>	+\$0
121 golden maple woodgrain 3D laminate <input type="checkbox"/>	+\$0
122 brown walnut woodgrain 3D laminate <input type="checkbox"/>	+\$0
123 chocolate walnut woodgrain 3D laminate <input type="checkbox"/>	+\$0
124 warm cherry woodgrain 3D laminate <input type="checkbox"/>	+\$0
126 basic white 3D laminate <input type="checkbox"/>	+\$0
125 light teak woodgrain 3D laminate <input type="checkbox"/>	+\$10

Compass™ Storage

Paper Towel Cabinet *continued*

Compass™ Storage

Step 6. Door Finish

Solid-Color

For durawrap™ 3D laminate (A)

91	white	+\$0
LU	soft white	+\$0

Wood-Grain

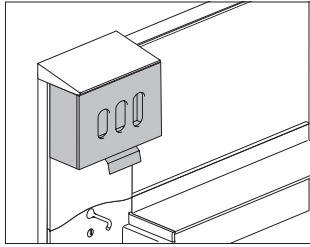
For durawrap™ 3D laminate (A)

76	light brown walnut	+\$10
HX	aged cherry	+\$10
HM	natural maple	+\$10
PX	Nemschoff light cherry	+\$10
OG	honey maple	+\$10

For 3D laminate (P)

120	light maple woodgrain 3D laminate A	+\$0
121	golden maple woodgrain 3D laminate A	+\$0
122	brown walnut woodgrain 3D laminate A	+\$0
123	chocolate walnut woodgrain 3D laminate A	+\$0
124	warm cherry woodgrain 3D laminate A	+\$0
126	basic white 3D laminate A	+\$0
125	light teak woodgrain 3D laminate A	+\$10

Glove and Paper Combo Cabinet TW326.



Product Information

Description

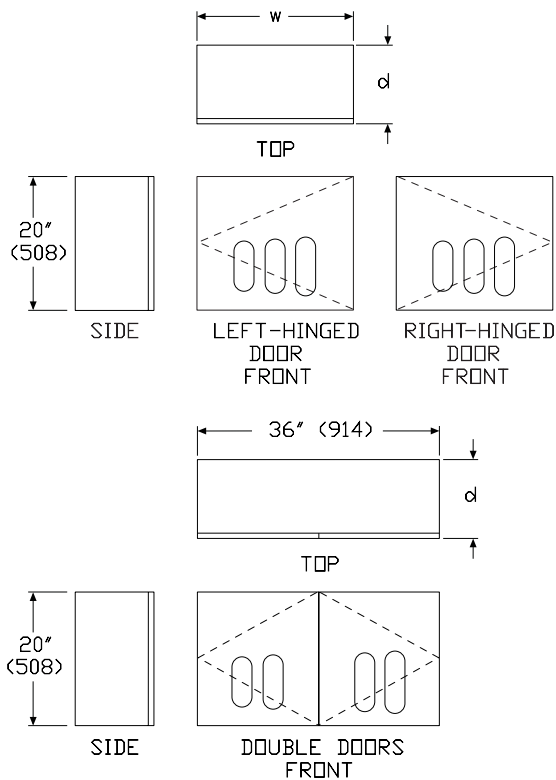
This non-locking combination glove and towel cabinet attaches to 2 rail-attached stiles in the upper tile position and holds 3 boxes of gloves and a field supplied paper towel dispenser. Hinged door(s) have a magnetic closure. Cabinet interior has a white melamine surface. The paper towel cabinet is in the back center of the cabinet in all sizes. The outside of the cabinet has a 3D laminate surface. Durawrap™ 3D laminate is a 99.9% PVC-free material.

Notes

It is recommended to leave an empty box (if a particular glove size is diminished) to hold the other boxes in place.

There is extra storage space on the top shelf (included) for 2 additional boxes of gloves (horizontally) for 24"-wide cabinets and for 3 additional boxes of gloves for 36"-wide cabinets.

Dimensions



Specification Information

Step 1.

TW326.

Step 2. Depth

09 9" deep
13 13" deep

Step 3. Width

24 24" wide
30 30" wide
36 36" wide

Step 4. Door Hinge Location

For 24" wide (24) or 30" wide (30)

L left-hinged door
R right-hinged door

For 36" wide (36)

D double doors

Step 5. Surface Material

A durawrap™ 3D laminate
P 3D laminate **A**

Prices for Steps 1-5.

	DA	DP	LA	LP	RA	RP
TW326.09 24	—	—	\$877	800	877	800
30	—	—	\$1066	972	1066	972
36	\$1256	1144	—	—	—	—
13 24	—	—	\$991	904	991	904
30	—	—	\$1186	1081	1186	1081
36	\$1381	1259	—	—	—	—

Step 6. Top/Side Finish

Solid-Color

For durawrap™ 3D laminate (A)

91 white +\$0
LU soft white +\$0

Glove and Paper Combo Cabinet

continued

Compass™ Storage

Wood-Grain

For durawrap™ 3D laminate (A)

76	light brown walnut	+\$10
HM	natural maple	+\$10
HX	aged cherry	+\$10
OG	honey maple	+\$10
PX	Nemschoff light cherry	+\$10

For 3D laminate (P)

120	light maple woodgrain 3D laminate <input type="checkbox"/>	+\$0
121	golden maple woodgrain 3D laminate <input type="checkbox"/>	+\$0
122	brown walnut woodgrain 3D laminate <input type="checkbox"/>	+\$0
123	chocolate walnut woodgrain 3D laminate <input type="checkbox"/>	+\$0
124	warm cherry woodgrain 3D laminate <input type="checkbox"/>	+\$0
125	light teak woodgrain 3D laminate <input type="checkbox"/>	+\$10
126	basic white 3D laminate <input type="checkbox"/>	+\$0

Step 7. Door Finish

Solid-Color

For durawrap™ 3D laminate (A)

91	white	+\$0
LU	soft white	+\$0

Wood-Grain

For durawrap™ 3D laminate (A)

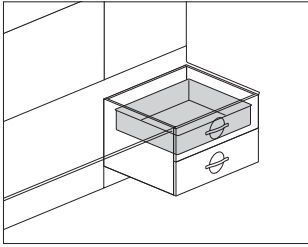
76	light brown walnut	+\$10
HM	natural maple	+\$10
HX	aged cherry	+\$10
OG	honey maple	+\$10
PX	Nemschoff light cherry	+\$10

For 3D laminate (P)

120	light maple woodgrain 3D laminate <input type="checkbox"/>	+\$0
121	golden maple woodgrain 3D laminate <input type="checkbox"/>	+\$0
122	brown walnut woodgrain 3D laminate <input type="checkbox"/>	+\$0
123	chocolate walnut woodgrain 3D laminate <input type="checkbox"/>	+\$0
124	warm cherry woodgrain 3D laminate <input type="checkbox"/>	+\$0
125	light teak woodgrain 3D laminate <input type="checkbox"/>	+\$10
126	basic white 3D laminate <input type="checkbox"/>	+\$0

Drawer Liner

TW390.

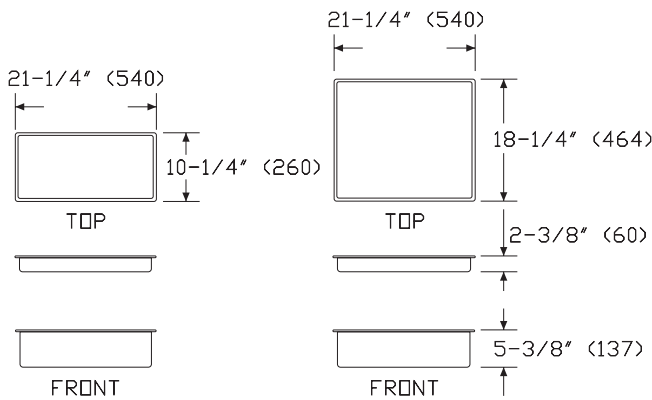


Product Information

Description

This plastic insert fits into drawers in a drawer module or wardrobe cabinet to help with infection control. It has radius edges for easy wipe-down. Finish is white.

Dimensions



Specification Information

Step 1.

TW390.

Step 2. Depth

- 13** 13" deep
- 21** 21" deep

Step 3. Height

- 06** 6" high
- 09** 9" high

Prices for Steps 1-3.

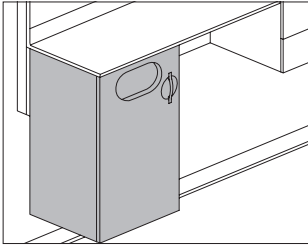
	06	09
TW390. 13	\$64	71
21	\$77	83

Compass™ Storage

Waste Receptacle Cabinet

TW316.

Compass™ Storage



Product Information

Description

This waste cabinet attaches to 2 rail-attached stiles to provide storage for a waste receptacle below a work surface. A slim profile bracket attaches to the door that holds the waste receptacle. Cabinet is designed to accommodate a 7-gallon or 10-gallon waste bin. Door is available with a cutout to allow touch-free access to the waste bin. Cabinet interior has a white melamine surface. The outside of the cabinet has a 3D laminate surface. Durawrap™ 3D laminate is a 99.9% PVC-free material. Includes a wall saver to protect the architectural wall behind the module.

Notes

Waste bin not included. See Planning Guide for recommendations.

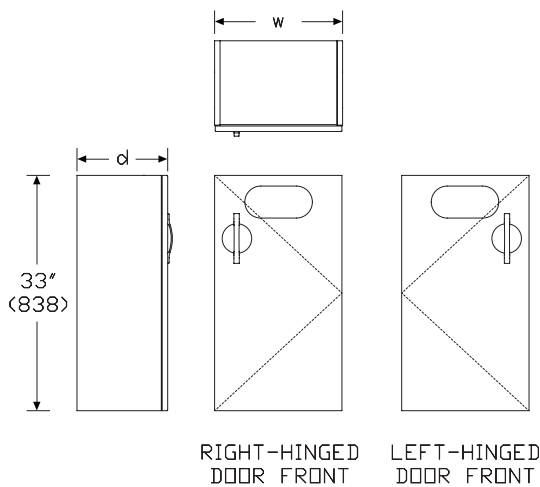
For bow pull option (C), pull finish is matte stainless. For arc pull option (D), pull finish is brushed nickel.

Specify work surface (TW210.) separately.

It is recommended to order a work surface with a backsplash. If ordering a work surface without a backsplash, a special-height mini-tile would need to be ordered.

For flex pull (B), bow pull (C), and arc pull (D) options, the doors contain a pocket behind the handle. The no pull (N) door contains no pocket.

Dimensions



Specification Information

Step 1.

TW316. A

Step 2. Depth

13 13" deep A

21 21" deep A

Step 3. Width

18 18" wide A

24 24" wide A

Step 4. Door

L left-hinged door A

R right-hinged door A

Step 5. Cutout Option

N no cutout A

C cutout A

Step 6. Pull Type

B flex pull A

C bow pull A

D arc pull A

N no pull A

Step 7. Surface Material

A durawrap™ 3D laminate A

P 3D laminate A

Prices for Steps 1-7.

	LNBA	LBNP	LNCA	LNCP	LNDA	LNDP
TW316.13 18	\$1068	943	1089	965	1068	943
24	\$1121	995	1143	1016	1121	995
21 18	\$1270	1120	1292	1141	1270	1120
24	\$1344	1184	1364	1205	1343	1184
	LNNA	LNNP	LCBA	LCBP	LCCA	LCCP
TW316.13 18	\$1036	911	1080	954	1102	977
24	\$1088	963	1134	1006	1154	1029
21 18	\$1238	1086	1282	1131	1304	1152
24	\$1310	1151	1355	1196	1377	1219
	LCDA	LCDP	LCNA	LCNP	RNBA	RBNP
TW316.13 18	\$1080	955	1049	923	1068	943
24	\$1134	1006	1101	974	1121	995

Waste Receptacle Cabinet *continued*

21 18	\$1282	1131	1250	1099	1270	1120
24	\$1354	1196	1323	1164	1344	1184
	RNCA	RNCP	RNDA	RNDP	RNNA	RNNP
TW316.13 18	\$1089	965	1068	943	1036	911
24	\$1143	1016	1121	995	1088	963
21 18	\$1292	1141	1270	1120	1238	1086
24	\$1364	1205	1343	1184	1310	1151
	RCBA	RCBP	RCCA	RCCP	RCDA	RCDP
TW316.13 18	\$1080	954	1102	977	1080	955
24	\$1134	1006	1154	1029	1134	1006
21 18	\$1282	1131	1304	1152	1282	1131
24	\$1355	1196	1377	1219	1354	1196
				RCNA	RCNP	
TW316.13 18				\$1049	923	
24				\$1101	974	
21 18				\$1250	1099	
24				\$1323	1164	

Step 8. Top/Side Finish

For 3D laminate (P)

120	light maple woodgrain 3D laminate <input type="checkbox"/>	+\$0
121	golden maple woodgrain 3D laminate <input type="checkbox"/>	+\$0
122	brown walnut woodgrain 3D laminate <input type="checkbox"/>	+\$0
123	chocolate walnut woodgrain 3D laminate <input type="checkbox"/>	+\$0
124	warm cherry woodgrain 3D laminate <input type="checkbox"/>	+\$0
125	light teak woodgrain 3D laminate <input type="checkbox"/>	+\$10
126	basic white 3D laminate <input type="checkbox"/>	+\$0

For durawrap™ 3D laminate (A)

91	white <input type="checkbox"/>	+\$0
LU	soft white <input type="checkbox"/>	+\$0

For durawrap™ 3D laminate (A)

76	light brown walnut <input type="checkbox"/>	+\$10
HM	natural maple <input type="checkbox"/>	+\$10
HX	aged cherry <input type="checkbox"/>	+\$10
OG	honey maple <input type="checkbox"/>	+\$10
PX	Nemschoff light cherry <input type="checkbox"/>	+\$10

Step 9. Door Finish

For durawrap™ 3D laminate (A)

91	white <input type="checkbox"/>	+\$0
LU	soft white <input type="checkbox"/>	+\$0

For durawrap™ 3D laminate (A)

76	light brown walnut <input type="checkbox"/>	+\$10
HM	natural maple <input type="checkbox"/>	+\$10
HX	aged cherry <input type="checkbox"/>	+\$10
OG	honey maple <input type="checkbox"/>	+\$10
PX	Nemschoff light cherry <input type="checkbox"/>	+\$10

For 3D laminate (P)

120	light maple woodgrain 3D laminate <input type="checkbox"/>	+\$0
121	golden maple woodgrain 3D laminate <input type="checkbox"/>	+\$0
122	brown walnut woodgrain 3D laminate <input type="checkbox"/>	+\$0
123	chocolate walnut woodgrain 3D laminate <input type="checkbox"/>	+\$0
124	warm cherry woodgrain 3D laminate <input type="checkbox"/>	+\$0
125	light teak woodgrain 3D laminate <input type="checkbox"/>	+\$10
126	basic white 3D laminate <input type="checkbox"/>	+\$0

Step 10. Pull Finish

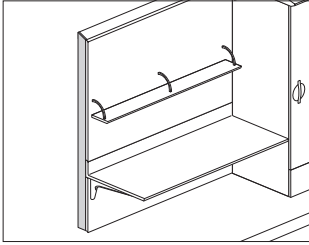
For flex pull (B)

5B	java <input type="checkbox"/>	+\$0
63	fog <input type="checkbox"/>	+\$0

Compass™ Storage

Close-out, Side

TW400.



Compass™ Close-Outs

Product Information

Description

This plastic close-out finishes the exposed side of a stile at the end of a wall rail.

Notes

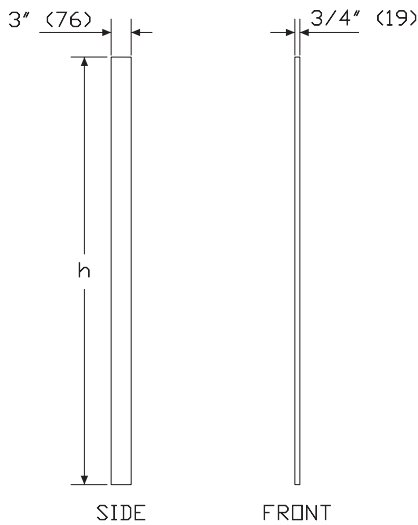
When wall rails extend past the stile and close-out, specify cutout(s) for wall rail option (C). Finish the cutouts with close-out grommet (TW409.), specified separately.

Close-out with cutout(s) for wall rail option (C) has 1 cutout for 24"-high, 2 cutouts for 64"- and 89"-high.

When close-out, sloped cabinet top (TW406.) or chase tile (TW182.) is present, an 89" close-out, side is required and must be field cut to height.

Top edge of close-out is flat.

Dimensions



Specification Information

Step 1.

TW400.

Step 2. Height

- 24** 24" high
- 64** 64" high
- 89** 89" high

Step 3. Type

- L** left
- R** right

Step 4. Cutout

- C** cutout(s) for wall rail
- N** no cutout(s) for wall rail

Prices for Steps 1-4.

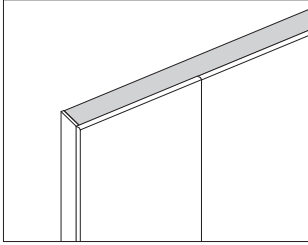
	C	N
TW400.24 L	\$41	31
R	\$41	31
64 L	\$71	48
R	\$71	48
89 L	\$106	84
R	\$106	84

Step 5. Surface Finish

- 91** white +\$0
- LU** soft white +\$0

Close-out, Top

TW402.



Product Information

Description

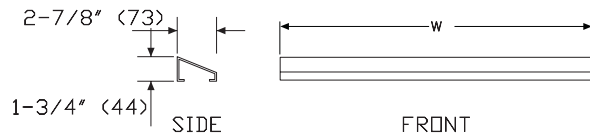
This aluminum close-out finishes the gap between the architectural wall and tiles at the top of rail-attached stiles. It has a 20° slope for ease of cleaning and infection control. It can be field-cut to match the width of the wall, or to accommodate a chase. Attachment hardware included.

Notes

When close-out, sloped cabinet top (TW406.) or chase tile (TW182.) is used in combination with the top close-out, the top close-out must be specified in the next larger size for the applied module span and must be field cut down to that module span.

If no sloped top or chase tile is present, the top close-out width should match the overall module width.

Dimensions



Specification Information

Step 1.

TW402.

Step 2. Application

A for use between two side closeouts

Step 3. Width

- 18** 18" wide A
- 24** 24" wide
- 36** 36" wide
- 48** 48" wide
- 60** 60" wide
- 72** 72" wide
- 84** 84" wide
- 96** 96" wide

Prices for Steps 1-3.

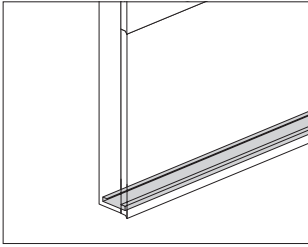
	18	24	36	48	60	72
TW402.A	\$56	60	64	67	79	90
					84	96
TW402.A					\$100	115

Step 4. Surface Finish

- 91** white +\$0
- LU** soft white +\$0

Close-out, Bottom

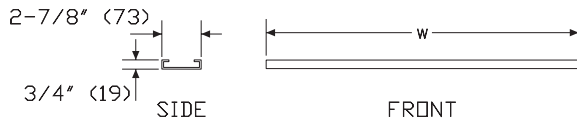
TW404.



Product Information

Description
 This plastic close-out finishes the gap between the architectural wall and tiles at the bottom of rail-attached stiles. It can be field-cut to match the width of the wall. Attachment hardware included.

Dimensions



Compass™ Close-Outs

Specification Information

Step 1.
TW404.

Step 2. Width

- 18** 18" wide
- 24** 24" wide
- 36** 36" wide
- 48** 48" wide
- 60** 60" wide
- 72** 72" wide
- 84** 84" wide
- 96** 96" wide

Step 3. Application

- A** not for use next to bed tile
- B** for use next to bed tile

Prices for Steps 1-3.

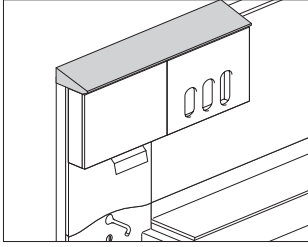
	A	B
TW404. 18	\$31	31
24	\$34	34
36	\$37	37
48	\$40	40
60	\$51	51
72	\$58	58
84	\$66	66
96	\$79	79

Step 4. Surface Finish

- 91** white + \$0
- LU** soft white + \$0

Close-out, Sloped Cabinet Top

TW406.



Product Information

Description

This steel sloped top finishes the top of a wardrobe cabinet, storage cabinet, glove cabinet, or paper towel cabinet. Close-out can span multiple cabinets.

Notes

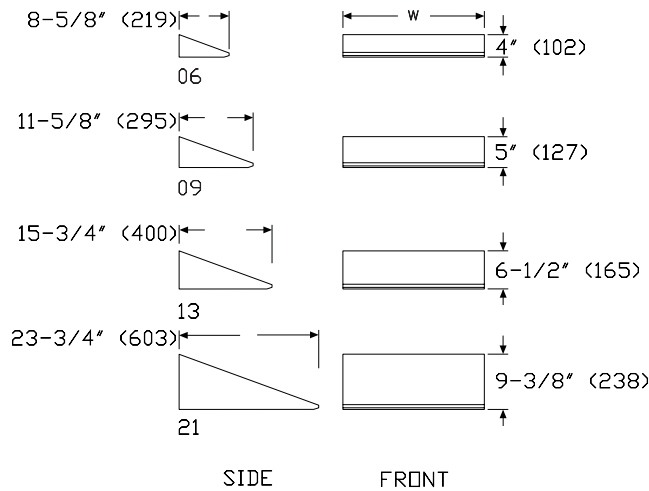
Specify 6" deep option (06) for storage cabinet, glove cabinet, or paper towel cabinet.

Specify 9" deep option (09) for storage cabinet or glove and paper combo cabinet.

Specify 13" deep option (13) for 13"-deep wardrobe cabinet, storage cabinet, or glove and paper combo cabinet.

Specify 21" deep option (21) for 21"-deep wardrobe cabinet.

Dimensions



Specification Information

Step 1.

TW406.

Step 2. Depth

- 06** 6" deep
- 09** 9" deep
- 13** 13" deep
- 21** 21" deep

Step 3. Width

For 6" deep (06)

- 18** 18" wide
- 24** 24" wide
- 30** 30" wide
- 36** 36" wide
- 42** 42" wide
- 48** 48" wide
- 54** 54" wide
- 60** 60" wide
- 66** 66" wide
- 72** 72" wide
- 84** 84" wide
- 96** 96" wide

For 9" deep (09) or 13" deep (13)

- 18** 18" wide
- 24** 24" wide
- 30** 30" wide
- 36** 36" wide
- 42** 42" wide
- 48** 48" wide
- 54** 54" wide
- 60** 60" wide
- 66** 66" wide
- 72** 72" wide

For 21" deep (21)

- 24** 24" wide

Prices for Steps 1-3.

	18	24	30	36	42	48
TW406.06	\$81	87	91	97	100	103
09	\$85	94	96	103	119	135
13	\$101	114	126	141	150	166
21	—	\$158	—	—	—	—

Close-out, Sloped Cabinet Top

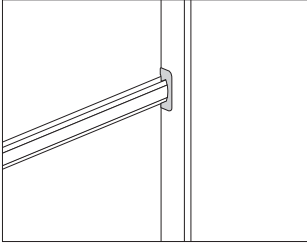
continued

	54	60	66	72	84	96
TW406.06	\$107	111	117	122	126	131
09	\$142	148	165	182	—	—
13	\$187	209	230	251	—	—
Step 4. Surface Finish						
91 white						+\$0
LU soft white						+\$0

Compass™ Close-Outs

Grommet, Close-out

TW409.

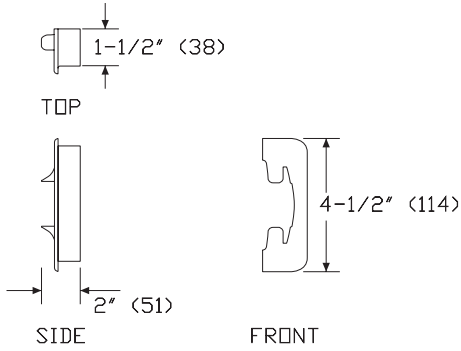


Product Information

Description

This individual grommet attaches to a side close-out with cutouts to fill the gap when the wall rail extends past the close-out.

Dimensions



Specification Information

Step 1.

TW409.

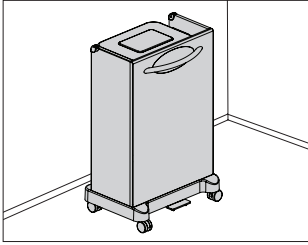
\$22

Step 2. Surface Finish

Solid-Color

91 white

+\$0



Product Information

Description

This cart holds linens and has a top ring that accommodates a standard “blue” linen bag. It docks below a work surface with linen cart tile. Front and side panels are 3D laminate. Durawrap™ 3D laminate is a 99.9% PVC-free material. Side panels are g1 white 3D laminate. Top ring and pull finish are metallic silver. Lid, foot pedal, and base finish are cool grey neutral.

Notes

Foot pedal is on front of cart.

Cart lid opens to the left.

Cart comes with side panels in white (g1) Durawrap 3D laminate.

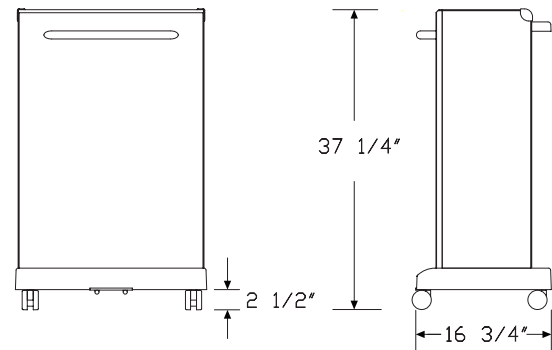
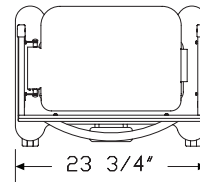
Cart cannot be cleaned using a cart wash.

Specify the following products separately:

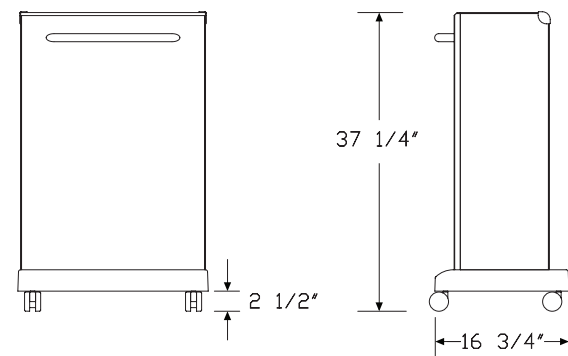
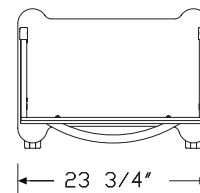
- Cantilever (TW219.)
- Linen cart tile (TW130.)
- Work surface (TW210.)

Compass™ Transport

Dimensions



Cart with lid and foot pedal



Cart with no lid and no foot pedal

Specification Information

Step 1.

TW501. A

Step 2. Type

N no lid or foot pedal A

M lid and no foot pedal A

L lid and foot pedal A

Step 3. Surface Material

A durawrap™ 3D laminate A

P 3D laminate A

Prices for Steps 1-3.

	A	P
TW501. N	\$1290	1254
M	\$1541	1499
L	\$1679	1632

Step 4. Side Finish

91 white A + \$0

Step 5. Front Finish

Solid-Color

For durawrap™ 3D laminate (A)

91 white A + \$0

LU soft white A + \$0

Wood-Grain

For durawrap™ 3D laminate (A)

76 light brown walnut A + \$10

HX aged cherry A + \$10

HM natural maple A + \$10

PX Nemschoff light cherry A + \$10

OG honey maple A + \$10

For 3D laminate (P)

120 light maple woodgrain 3D laminate A + \$0

121 golden maple woodgrain 3D laminate A + \$0

122 brown walnut woodgrain 3D laminate A + \$0

123 chocolate walnut woodgrain 3D laminate A + \$0

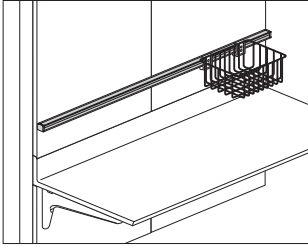
124 warm cherry woodgrain 3D laminate A + \$0

125 light teak woodgrain 3D laminate A + \$10

126 basic white 3D laminate A + \$0

Accessory Rail

TW700.



Product Information

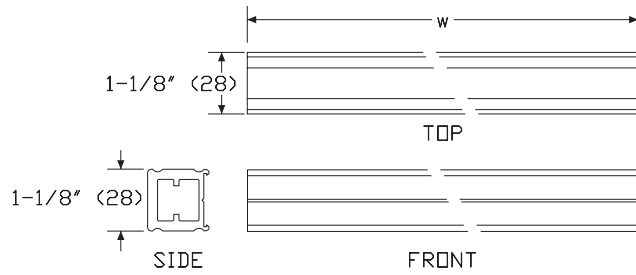
Description

This aluminum rail attaches to the front of a tile to hold rail-mounted components. It has a satin oxide laminate insert and grey end caps. Attachment hardware included.

Notes

Rail can match tile width, or span multiple tiles. For easy removal of tiles, accessory rail width should be equal to or less than the width of the tile it's attached to.

Dimensions



Specification Information

Step 1.

TW700.

Step 2. Width

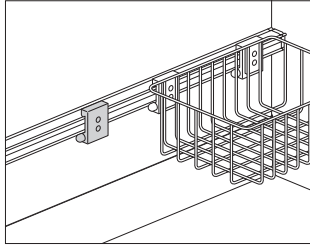
- 18** 18" wide
- 24** 24" wide
- 30** 30" wide
- 36** 36" wide
- 42** 42" wide
- 48** 48" wide

Prices for Steps 1-2.

TW700.18	\$73
24	\$96
30	\$121
36	\$144
42	\$169
48	\$190

Universal Rail Clamp

TW705.



Product Information

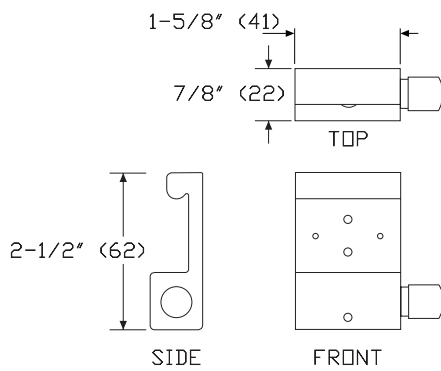
Description

This universal aluminum clamp attaches to an accessory rail and has holes for attaching customer supplied components. It has a push button mechanism that locks the clamp in place and allows for easy attachment and removal.

Notes

Order accessory rail (TW700.) separately.

Dimensions



Specification Information

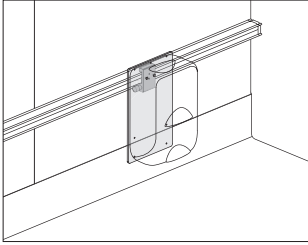
Step 1.

TW705.

\$123

Soap and Sanitizer Mounting Bracket

TW706.



Product Information

Description

This aluminum mounting bracket is designed for use with customer supplied components such as soap and sanitizer dispensers or sharps containers. It includes 1 universal rail clamp (TW705.) for attachment. The clamp has a push-button locking mechanism for easy attachment and removal.

Notes

Order accessory rail (TW700.) separately. Screws must be customer supplied.

Dimensions

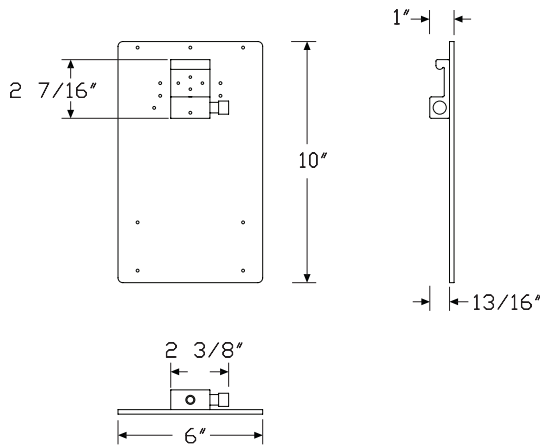
Specification Information

Step 1.

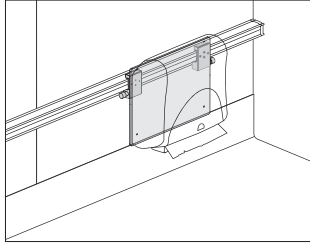
TW706.

\$400

Compass™ Rails and Accessories



Paper Towel Dispenser Mounting Bracket TW707.



Product Information

Description

This aluminum mounting bracket is designed for use with customer supplied paper towel dispensers. It includes 2 universal rail clamps (TW705.) for attachment. The clamps have a push-button locking mechanism for easy attachment and removal.

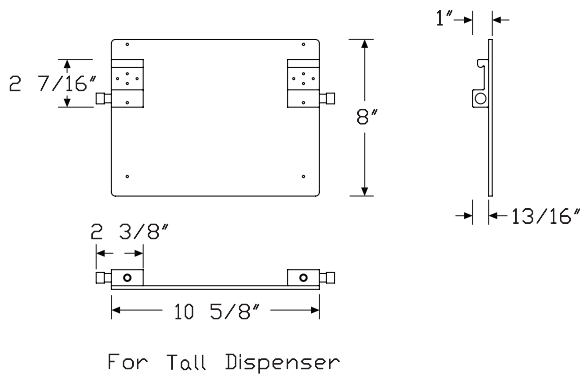
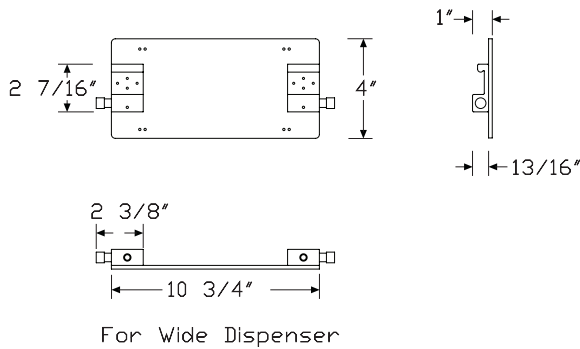
Notes

Order accessory rail (TW700.) separately. Screws and dispensers must be customer supplied.

Wide paper towel dispenser dimensions are approximately 10" wide x 5" deep x 8" high. Tall dispenser dimensions are approximately 13" wide x 9" deep x 13" high.

See Compass™ planning guide for additional specification information.

Dimensions



Specification Information

Step 1.

TW707.

Step 2. Size

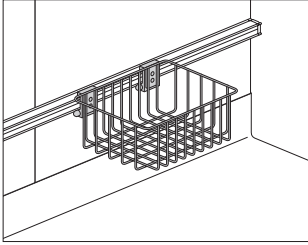
- A** used with wide paper towel dispensers
- B** used with tall paper towel dispensers

Prices for Steps 1-2.

TW707.A	\$452
B	\$452

Utility Basket

TW720.



Product Information

Description

This powder-coated wire basket attaches to an accessory rail to hold small items. It includes 2 rail clamps for attachment. The clamps have a push button mechanism that locks the clamp in place and allows for easy attachment and removal. Finish is off-white.

Notes

Order accessory rail (TW700.) separately.

Dimensions

Specification Information

Step 1.

TW720.

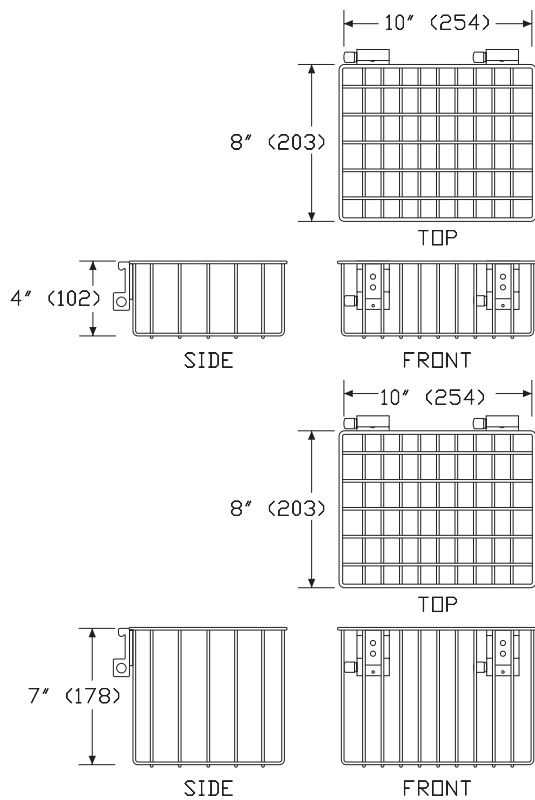
Step 2. Size

- 01** 4" high x 8" deep x 10" wide
- 02** 7" high x 8" deep x 10" wide

Prices for Steps 1-2.

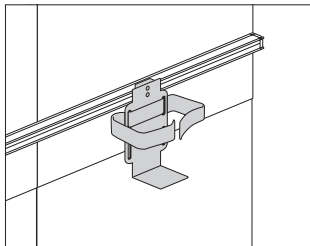
TW720.01	\$414
02	\$429

Compass™ Rails and Accessories



Sharps Container Holder

TW722.



Product Information

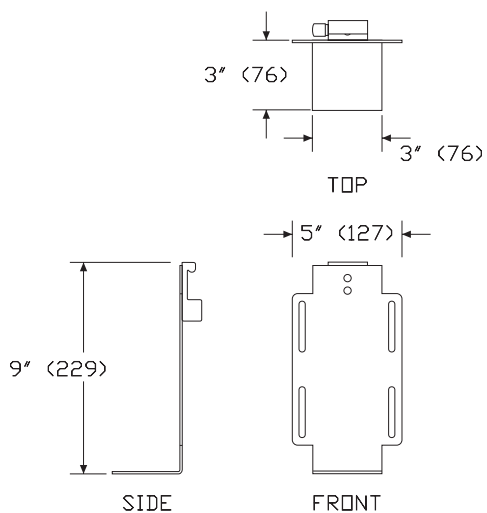
Description

This painted holder attaches to an accessory rail and has a strap for holding a variety of customer-supplied sharps containers. It includes a rail clamp for attachment. The clamp has a push button mechanism that locks the clamp in place and allows for easy attachment and removal. Finish is off-white.

Notes

Order accessory rail (TW700.) separately.

Dimensions



Specification Information

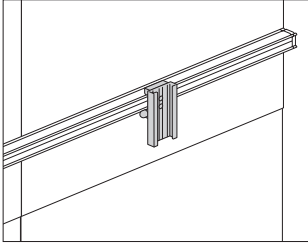
Step 1.

TW722.

\$305

Vacuum Bottle Slide

TW723.



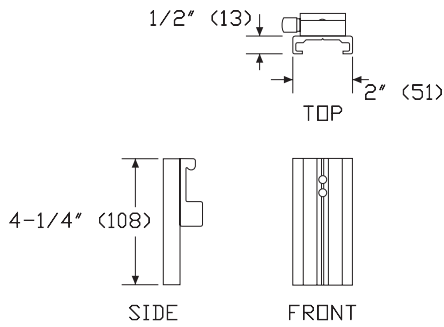
Product Information

Description
This aluminum slide attaches to an accessory rail and accepts a customer-supplied vacuum bottle with mounting ring. It includes a rail clamp for attachment. The clamp has a push button mechanism that locks the clamp in place and allows for easy attachment and removal.

Notes

Order accessory rail (TW700.) separately.

Dimensions

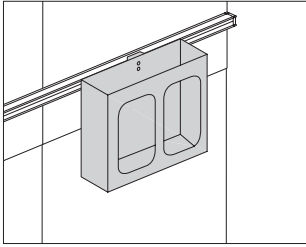


Specification Information

Step 1.
TW723. \$149

Glove Box Holder

TW724.



Product Information

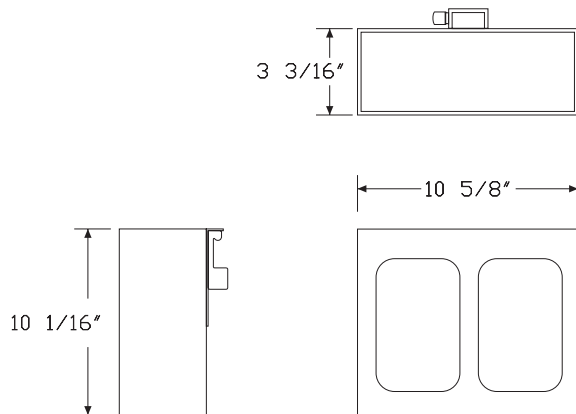
Description

This holder attaches to an accessory rail and holds 2 10" x 5" x 3" boxes of gloves. It includes a rail clamp for attachment. The clamp has a push button mechanism that locks the clamp in place and allows for easy attachment and removal. Finish is off-white

Notes

Order accessory rail (TW700.) separately.

Dimensions



Specification Information

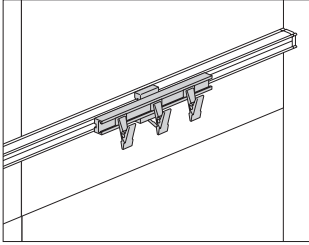
Step 1.

TW724.

\$513

3 Clip Organizer

TW725.



Product Information

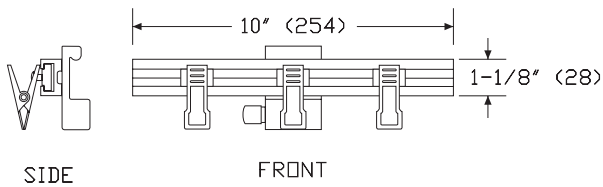
Description

This aluminum organizer attaches to an accessory rail and has 3 stainless steel clips for holding IV bags, catheters, and other items. It includes a rail clamp for attachment.

Notes

Order accessory rail (TW700.) separately.

Dimensions



Specification Information

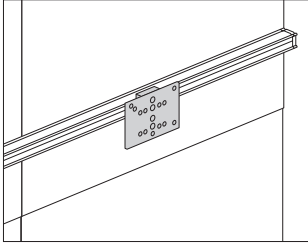
Step 1.

TW725.

\$324

Instrument Mounting Bracket

TW726.



Product Information

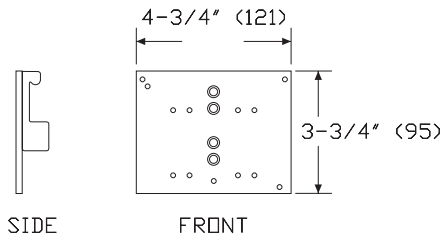
Description

This aluminum bracket attaches to an accessory rail to hold a customer-supplied sphygmomanometer, ophthalmoscope with holder, or thermometer with holder. It is designed for products that adhere to the Fairfield standards. The bracket includes a rail clamp for attachment. The clamp has a push button mechanism that locks the clamp in place and allows for easy attachment and removal.

Notes

Order accessory rail (TW700.) separately.

Dimensions



Specification Information

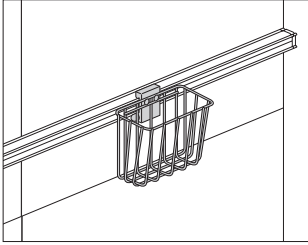
Step 1.

TW726.

\$318

Sphygmomanometer Basket

TW727.



Product Information

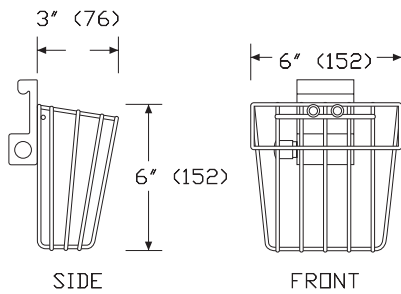
Description

This stainless steel wire basket attaches to an accessory rail to hold a customer-supplied blood pressure arm cuff or other small items. It includes a rail clamp for attachment. The clamp has a push button mechanism that locks the clamp in place and allows for easy attachment and removal.

Notes

Order accessory rail (TW700.) separately.

Dimensions



Specification Information

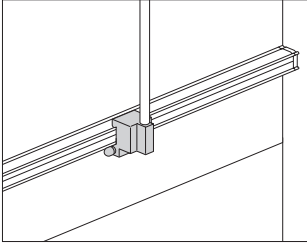
Step 1.

TW727.

\$267

Mounting Clamp

TW740.



Product Information

Description

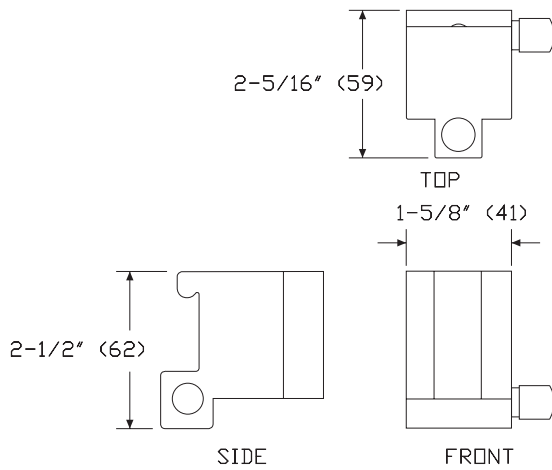
This aluminum clamp attaches to an accessory rail to hold components with a post-mount attachment method. It has a push button mechanism that locks the clamp in place and allows for easy attachment and removal.

Notes

Order the following products separately:

- Accessory rail (TW700.)
- Chart holder (TW746.)
- IV pole (TW743.)
- Utility Hook (TW747.)

Dimensions



Specification Information

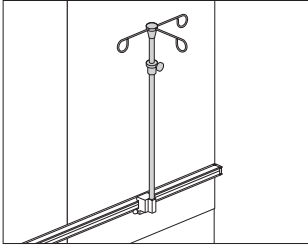
Step 1.

TW740.

\$158

IV Pole

TW743.



Product Information

Description
 This adjustable stainless steel pole holds up to 3 IV bags and has a post for attaching to a mounting clamp.

Notes
 Order accessory rail (TW700.) and mounting clamp (TW740.) separately.

Dimensions

Specification Information

Step 1.
TW743.24 \$522

Compass™ Rails and Accessories

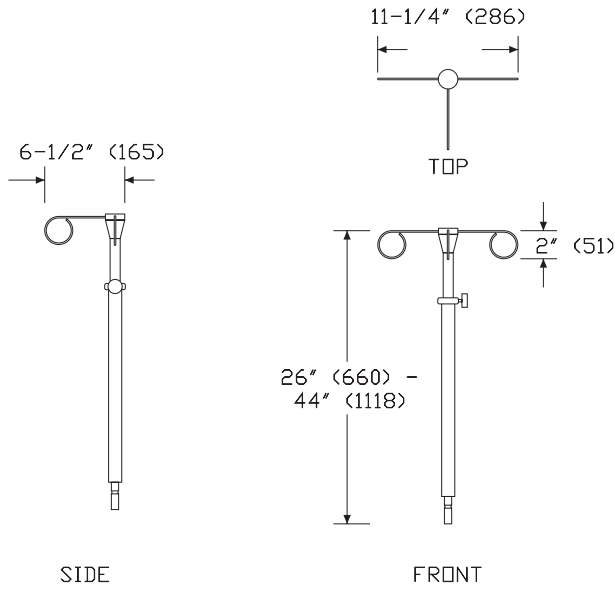
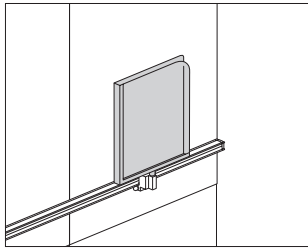


Chart Holder

TW746.



Product Information

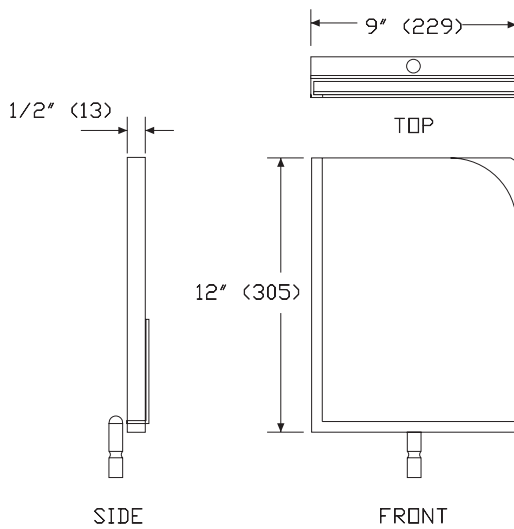
Description

This powder-coated holder has a clear acrylic front and holds a chart or other paper items. It has a post for attaching to a mounting clamp. Finish is off-white.

Notes

Order accessory rail (TW700.) and mounting clamp (TW740.) separately.

Dimensions



Specification Information

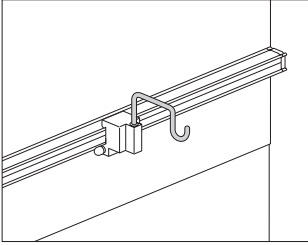
Step 1.

TW746.

\$367

Utility Hook

TW747.

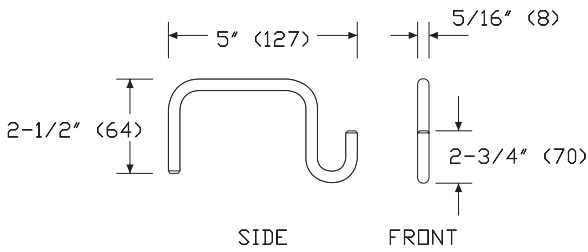


Product Information

Description
This stainless steel hook holds tubing, charts, catheters, or other equipment. It has a post for attaching to a mounting clamp.

Notes
Order accessory rail (TW700.) and mounting clamp (TW740.) separately.

Dimensions

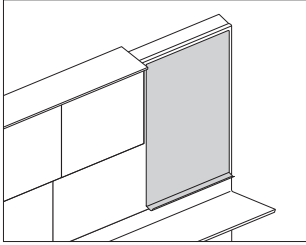


Specification Information

Step 1.
TW747. \$96

Marker Board

TW800.

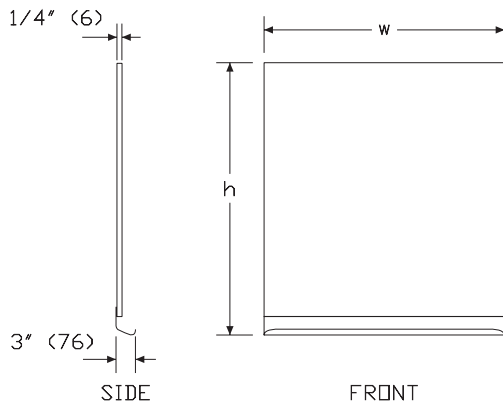


Product Information

Description

This marker board attaches with screws to the front of a face tile to provide an erasable writing surface using dry-erase markers. It has a tray at the bottom for holding markers and erasers. Finish is white.

Dimensions



Specification Information

Step 1.

TW800.

Step 2. Height

- 20 20" high
- 40 40" high

Step 3. Width

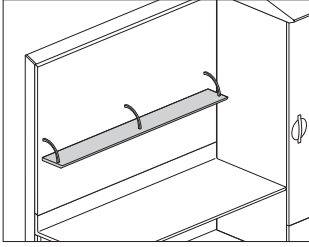
- 24 24" wide
- 36 36" wide

Prices for Steps 1-3.

	24	36
TW800. 20	\$292	347
40	\$485	619

Display Shelf

TW810.

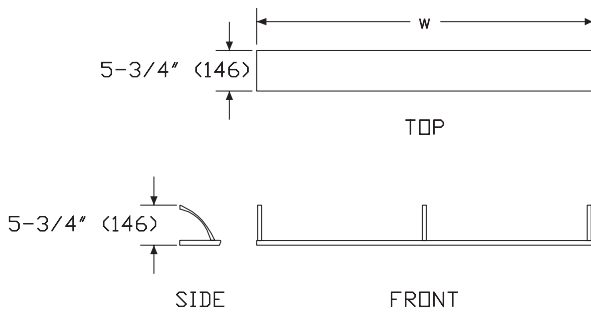


Product Information

Description

This shelf attaches to the front of a face tile to provide small item storage and display. It is available in 3D laminate or Corian® with metallic silver supports. Durawrap™ 3D laminate is a 99.9% PVC-free material. Attachment hardware included.

Dimensions



Specification Information

Step 1.

TW810.06

Step 2. Width

- 18** 18" wide
- 24** 24" wide
- 36** 36" wide
- 48** 48" wide

Step 3. Surface Material

- A** durawrap™ 3D laminate
- K** corian
- P** 3D laminate A

Prices for Steps 1-3.

		A	K	P
TW810.06	18	\$180	432	175
	24	\$197	455	182
	36	\$255	567	234
	48	\$279	704	255

Step 4. Surface Finish

Solid-Color

For durawrap™ 3D laminate (A)

91	white			+\$0
LU	soft white			+\$0

Wood-Grain

For durawrap™ 3D laminate (A)

76	light brown walnut			+\$10
HX	aged cherry			+\$10
HM	natural maple			+\$10
PX	Nemschoff light cherry			+\$10
OG	honey maple			+\$10

Display Shelf *continued*

For corian (K)

1N	canyon	+\$130
CQ	glacier white	+\$0
QB	bisque	+\$0
1E	flint	+\$150
1S	savannah	+\$130
1U	sahara	+\$130
3I	mojave	+\$130
4I	sandstone	+\$130
58	cameo white	+\$0
IQ	aurora	+\$130
OQ	silt	+\$130
Q1	vanilla	+\$0
7I	raffia	+\$150
BLP	blue pebble	+\$150

For 3D laminate (P)

120	light maple woodgrain 3D laminate A	+\$0
121	golden maple woodgrain 3D laminate A	+\$0
122	brown walnut woodgrain 3D laminate A	+\$0
123	chocolate walnut woodgrain 3D laminate A	+\$0
124	warm cherry woodgrain 3D laminate A	+\$0
125	light teak woodgrain 3D laminate A	+\$10
126	basic white 3D laminate A	+\$0

Index by Product Name

Compass™ System	
	page(s)
1" Conduit Electrical Junction Box	41
3 Clip Organizer	108
Above-Sink Tile	21
Above-Sink Tile, ADA-Compliant Sink	23
Accessory Rail	100
Bed Tile	16
Cantilever	46
Chart Holder	113
Chase	42
Chase Tile	43
Close-out, Bottom	94
Close-out, Side	92
Close-out, Sloped Cabinet Top	95
Close-out, Top	93
Display Shelf	116
Drawer and Printer Module	76
Drawer Liner	89
Drawer Module	71
Electrical 4x4 Junction Box Attachment Bracket	39
Electrical Junction Box Attachment Bracket	38
Face Tile	14
Faucet	58
Full Height Storage Cabinet	66
Glove and Paper Combo Cabinet	87
Glove Box Holder	107
Glove Cabinet	83
Grommet, Close-out	97
Half-Height Storage Cabinet	69
Instrument Mounting Bracket	109
IV Pole	112
Linen Cart	98
Linen Cart Tile	25
Lower Storage Cabinet with Doors	73
Marker Board	115
Mounting Clamp	111
Nurse Call Trim Plate	35
Paper Towel Cabinet	85
Paper Towel Dispenser Mounting Bracket	103
Rotating Work Surface Arm	48
Rotating Work Surface Support Bracket	47
Rotating Work Surface Tile	20
Rotating Work Surface Top	49
Sconce Light Junction Box Attachment Bracket	37
Sconce Light Trim Plate	34
Sharps Container Holder	105
Sidesplash	61

Sidesplash, ADA Compliant	62
Sink, 13" Deep	51
Sink, 21" Deep	52
Sink, ADA Compliant	53
Sink, Basic 13" Deep	60
Sink Enclosure	54
Sink Enclosure, ADA-Compliant Sink	56
Soap and Sanitizer Mounting Bracket	102
Sphygmomanometer Basket	110
Stile, Chase Tile	13
Stile Connector Kit	12
Stile Lockdown	11
Stile, Rail-Attached	9
Storage and Printer Module	79
Storage Cabinet	81
TV/Monitor Support Bracket	40
Universal Rail Clamp	101
Utility Basket	104
Utility Hook	114
Utility Support Rail	36
Utility Tile, Electrical, Full-Height Upper	30
Utility Tile, Electrical, Lower	26
Utility Tile, Electrical, Partial-Height Upper	28
Utility Tile, Light	32
Vacuum Bottle Slide	106
Wall Anchors	8
Wall Rail	5
Wall Rail End Cap	7
Wall Rail Insert	6
Wardrobe Cabinet	63
Waste Receptacle Cabinet	90
Work Surface	44
Work Surface Tile	18

Index by Product Number

TW100. Wall Rail	page(s) 5	TW310. Drawer Module	71
TW102. Wall Rail Insert	6	TW312. Lower Storage Cabinet with Doors	73
TW104. Wall Rail End Cap	7	TW314. Drawer and Printer Module	76
TW109. Wall Anchors	8	TW315. Storage and Printer Module	79
TW110. Stile, Rail-Attached	9	TW316. Waste Receptacle Cabinet	90
TW112. Stile Lockdown	11	TW320. Storage Cabinet	81
TW113. Stile Connector Kit	12	TW322. Glove Cabinet	83
TW114. Stile, Chase Tile	13	TW324. Paper Towel Cabinet	85
TW120. Face Tile	14	TW326. Glove and Paper Combo Cabinet	87
TW122. Bed Tile	16	TW390. Drawer Liner	89
TW124. Work Surface Tile	18	TW400. Close-out, Side	92
TW126. Rotating Work Surface Tile	20	TW402. Close-out, Top	93
TW128. Above-Sink Tile	21	TW404. Close-out, Bottom	94
TW129. Above-Sink Tile, ADA-Compliant Sink	23	TW406. Close-out, Sloped Cabinet Top	95
TW130. Linen Cart Tile	25	TW409. Grommet, Close-out	97
TW140. Utility Tile, Electrical, Lower	26	TW501. Linen Cart	98
TW141. Utility Tile, Electrical, Partial-Height Upper	28	TW700. Accessory Rail	100
TW142. Utility Tile, Electrical, Full-Height Upper	30	TW705. Universal Rail Clamp	101
TW155. Utility Tile, Light	32	TW706. Soap and Sanitizer Mounting Bracket	102
TW156. Sconce Light Trim Plate	34	TW707. Paper Towel Dispenser Mounting Bracket	103
TW159. Nurse Call Trim Plate	35	TW720. Utility Basket	104
TW170. Utility Support Rail	36	TW722. Sharps Container Holder	105
TW171. Sconce Light Junction Box Attachment Bracket	37	TW723. Vacuum Bottle Slide	106
TW172. Electrical Junction Box Attachment Bracket	38	TW724. Glove Box Holder	107
TW174. Electrical 4x4 Junction Box Attachment Bracket	39	TW725. 3 Clip Organizer	108
TW175. TV/Monitor Support Bracket	40	TW726. Instrument Mounting Bracket	109
TW176. 1" Conduit Electrical Junction Box	41	TW727. Sphygmomanometer Basket	110
TW180. Chase	42	TW740. Mounting Clamp	111
TW182. Chase Tile	43	TW743. IV Pole	112
TW210. Work Surface	44	TW746. Chart Holder	113
TW211.		TW747. Utility Hook	114
TW219. Cantilever	46	TW800. Marker Board	115
TW221. Rotating Work Surface Arm	48	TW810. Display Shelf	116
TW222. Rotating Work Surface Top	49		
TW229. Rotating Work Surface Support Bracket	47		
TW230. Sink, 13" Deep	51		
TW231. Sink, 21" Deep	52		
TW232. Sink Enclosure	54		
TW233. Sink Enclosure, ADA-Compliant Sink	56		
TW234. Sink, Basic 13" Deep	60		
TW235. Sink, ADA Compliant	53		
TW239. Faucet	58		
TW242. Sidesplash	61		
TW243. Sidesplash, ADA Compliant	62		
TW300. Wardrobe Cabinet	63		
TW302. Full Height Storage Cabinet	66		
TW305. Half-Height Storage Cabinet	69		



20-Day or Less/Assigned Lead-Time Order Information – Healthcare

20-Day or Less/Assigned Lead-Time Programs

20-day or less and assigned lead-time products are designed for established Herman Miller dealers with pre-approved credit.

Products are distributed from multiple manufacturing facilities across the United States. All products and options not designated by an Assigned Lead-Time icon **A** will ship in 20 business days or less after being acknowledged by Herman Miller. Products and options designated by an **A** are on the assigned lead-time program and will ship in 20 days, less than 20 days, or more than 20 days from order acknowledgement.

Ordering Procedure

Please place orders through Order Manager. If this is not available to you, place orders through mail or fax. Verbal purchase orders will not be accepted.

Order Entry fax number: (616) 654 3085.

For more information, contact your Customer Care representative at:
(866) 854 3048 EXT 3400

Shipments and Delivery

Per Herman Miller Terms and Conditions.

Changes and Cancellation

Per Herman Miller Terms and Conditions.

For more information about our products and services or to see a list of dealers, please visit us at HermanMiller.com or call (800) 851 1196.

© 2018 Herman Miller, Inc., Zeeland, Michigan

Distribution Rights

Working together since 1956, Herman Miller and Vitra are the authentic sources of designs by Charles and Ray Eames, Alexander Girard, and George Nelson. All the designs shown in this book are protected by law. Herman Miller has obtained all rights to make and sell these designs. Also, Herman Miller holds exclusive worldwide manufacturing and distribution rights for these products with the following exceptions:

Charles and Ray Eames, George Nelson, and Alexander Girard—Worldwide distribution rights for furniture in all areas except Europe and the Middle East. For those areas, please contact Vitra.

Isamu Noguchi—Worldwide distribution rights for the Noguchi Rudder Table. Distribution rights for the Noguchi Table in North America and Central America only. For all other areas, please contact Vitra.

Magis—Exclusive distribution rights in the US and Canada. For all other areas, please contact Magis.

Mattiazzi—Exclusive distribution rights in the US and Canada. For all other areas, please contact Mattiazzi.

® **HermanMiller**, ●, 3D Intelligent, AO, Action Office, Aeron, ArcSpan, Aside, Avall, Avive, Bubble Lamps, Canvas Office Landscape, Capex, Celle, Co/Struc, Daisystone, Distil, Eames, Eco-Dematerialized, Embody, Envelop, Equa 2, Ergon 3, Ethospace, Exclave, Fine-Tune, FlexFront, Flo, Formcoat, Formwork, Ground Cloth, Herman Miller for the Home, Herman Miller for Healthcare, Intersect, Kinemat, Lapjack, Layout Studio, Lifework, Limerick, Live Unframed, Living Office, Locale, Maharam, Meridian, Mirra, Passage, Pellicle, Perspectives, PostureFit, Public Office Landscape, Resolve, Rodney, Sayl, Setu, Thrive, Tu, Wishbone, and Y-Tower are among the registered trademarks of Herman Miller, Inc., and its owned subsidiaries.

™ 8Z Pellicle, About Face, AireWeave, Albert, Backfit, Bubbletack, Burdick Group, Butterfly Back, Celeste, Cellular Suspension, Clam, Compass, Connect, Cosm, Cubert, DOT, Duracare, Durawrap, Eames Soft Pad, EnhancedAccess, Everywhere, Flex-Edge, Flute, Harmonic, Herman Miller Select, Hopsak 2, Intent, Iota, Jaw, Keyless Entry, Keyn Chair Group by Herman Miller, Latitude, Lino, Locale, Logic Mini, Logic Power Access Solutions, Live OS, Loop, Lyris, Lyris 2, Made-to-Measure Storage, Metaform Portfolio, Mora, Motia, Multiscrim, Nelson, Nevi, Overlay, Pari, Pixelated Support, Plex, PostureFit SL, Prospect, Q, Renew, Sense, Soft Pad, Stackable, Stackable Storage, Striad, Swoop, Tone, TriFlex, Twist, Ubi, Verus, Vista and Wireframe are among the trademarks of Herman Miller, Inc., and its owned subsidiaries.

SM Herman Miller Options is among the service marks of Herman Miller, Inc.

Alexander Girard® is a registered trademark of The Alexander Girard Estate.

Chemsurf® is a registered trademark of Wilsonart International.

Corian® is a registered trademark of E. I. du Pont de Nemours and Company Corporation.

Crypton® is a registered trademark of Crypton, Inc.

DACRON® is a registered trademark of INVISTA S.a r.l.

Decora® is a registered trademark of Leviton Manufacturing Co., Inc.

Edelman® Leather is a registered trademark of Edelman Leather, Inc.

FENIX NTM® is a registered trademark of Arpa Industriale S.p.A.

FLEXNET™ is a trademark of Milliken & Company.

Floor Saver Glide® is a registered trademark of Carpin Manufacturing, Inc.

Geiger® is a registered trademark, and Bumper™, Saiba™, and Ward Bennett™ are trademarks, of Geiger International.

Goetz™ is a trademark of Mark W. Goetz.

Hang-It-All® is a registered trademark of Lucia Eames Demetrios, d.b.a. Eames Office.

Holophane® is a registered trademark of Holophane.

Ingeo™ is a trademark of Cargill Dow LLC.

iPad® is a registered trademark of Apple, Inc.

LifeSize® is a registered trademark of LifeSize Communications, Inc.

Magis®, Bombo®, and Me Too® are registered trademarks of Magis S.p.A.

Microsoft® and Natural® Keyboard are registered trademarks of Microsoft Corporation.

Noguchi® and the Noguchi table configuration (trade dress) are registered trademarks, and Rudder Table™ is a trademark, of The Isamu Noguchi Foundation and Garden Museum.

Place Textiles® is a registered trademark of Place Textiles.

SuperSeat™ is a trademark of Dahti Seating, a division of ITW.